

CONVEYING

- ROLLER CONVEYORS
- WHEEL CONVEYORS
- FLEXI CONVEYORS
- BELT CONVEYORS
- CURVES
- CONTROLLERS
- VERTICAL LIFTS
- ROTARY TABLES
- PUSHERS
- ACCESSORIES



Conveying

Non-driven conveyors

Roller conveyors with 48 mm plastic rollers
 SOCO SYSTEM's smooth-running conveyors offer a perfect combination of durability and elegant design.



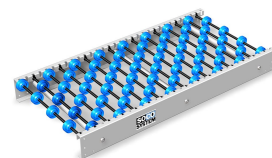
Roller conveyors with Ø 48 steel rollers Page 3



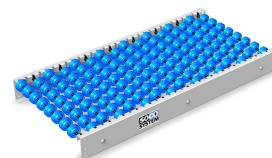
Roller conveyors with Ø 28 aluminium rollers Page 5



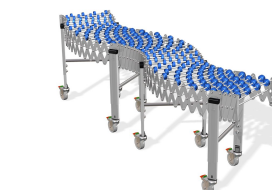
Wheel conveyors with Ø 48 wheel axles - with single number of wheels Page 7



Wheel conveyors with Ø 48 wheel axles - with double number of wheels Page 9

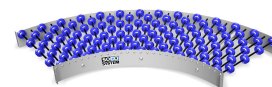


Flexi conveyors with Ø 48 wheel axles Bend easily to suit requirements. Page 11



Non-driven curves

Fixed curves with Ø 48 wheel axles With single number of wheels. Page 12



Fixed curves with Ø 48 wheel axles With double number of wheels. Page 13



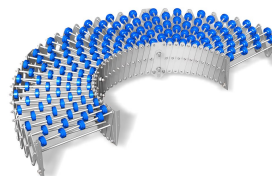
Fixed curves with Ø 48 3-part plastic rollers Page 14




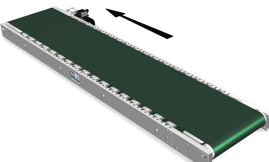
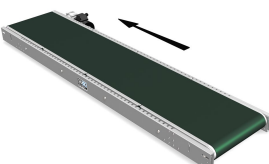
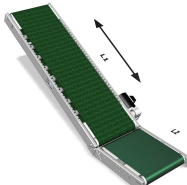
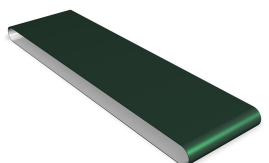
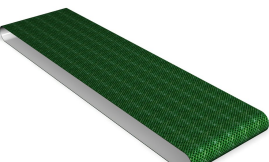
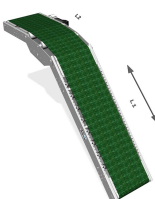


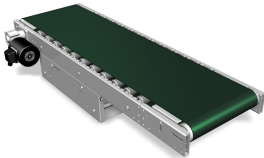

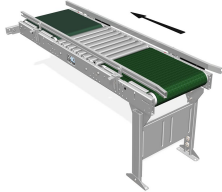


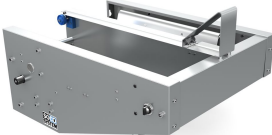


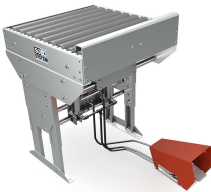
Fixed curves with conical rollers Page 15








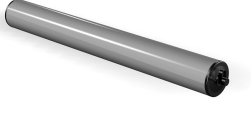




Flexi curves with Ø 48 wheel axles Page 16



Driven conveyors	Drive section for driven roller conveyors With \varnothing 48 plastic rollers.	Page 17	
	Coupled section for driven roller conveyors With \varnothing 48 plastic rollers.	Page 19	
Driven curves	Curves with conical rollers 90° With two drives for high loadings.	Page 21	
Belt conveyors	Belt conveyors with roller bedding	Page 22	
	Belt conveyors with plate bedding	Page 25	
	Belt conveyors with booster For gentle transport - up or down.	Page 28	
	Smooth belts for belt conveyors	Page 30	
	Grip belts for belt conveyors	Page 33	
	Belt conveyors with triplex angles Suitable for transport of items that are not suited for sudden transition from inclined to horizontal transport.	Page 36	

	Belt conveyors with submounted tension section Motor and tension section are placed under the conveyor.	Page 37	
Controllers	Controller type 1 For automatic feed-in control before case sealers, or where articles need to be separated.	Page 38	
	Controller type 2 For automatic feed-in control before case sealers, or where articles need to be separated.	Page 39	
Packing tables	Packing table for mounting on conveyor Complete packing table with plastic laminated plate.	Page 40	
	Packing plate	Page 41	
Packing tables with bottom flap folder	Semi automatic flap folder - F-100 Often used as packing table before a case sealer.	Page 42	
	Automatic bottom flap folder - F-100-P Used as packing table in front of a case sealer or conveyor.	Page 43	
Tilt tables	Manual tilt table 22° Offers a good working position during filling of cases.	Page 44	
	Pneumatic tilt table 20° Offers a good working position during filling of cases.	Page 45	

Rotary tables	<p>Rotary tables A simple and cost efficient solution to accumulation.</p>	Page 46	
Side pushers	<p>SP-502 side pusher Used to change the transport direction of cases.</p>	Page 48	
Solutions	<p>Boomerang system The boomerang system is ideal as a "one-man packing station" where a single operator can fill, seal, and palletise cases from practically the same position.</p>	Page 49	
	<p>Inline system Offers an efficient and ergonomically correct working station on few square metres when combined with SOCO SYSTEM case sealers.</p>	Page 50	
Accessories	<p>Rollers Ø 28 mm aluminium rollers Hard-wearing and smooth-running aluminium roller.</p>	Page 51	
	<p>Ø 48 mm plastic rollers Hard-wearing and smooth-running plastic roller.</p>	Page 52	
	<p>Ø 48 mm plastic rollers with grooves Roller for driven roller conveyors.</p>	Page 53	
	<p>Ø 48 mm plastic rollers with 6000 end bearings Extra hard-wearing and smooth-running plastic roller.</p>	Page 54	
	<p>Ø 48 mm plastic rollers with 6000 end bearings with grooves at one end Extra hard-wearing and smooth-running plastic roller for driven roller conveyors.</p>	Page 55	
	<p>Ø 48 mm steel rollers with 6000 end bearing Extra hard-wearing and smooth-running steel roller.</p>	Page 56	

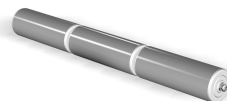
Ø 48 mm steel rollers with 6000 end bearings and grooves at one end
Extra hard-wearing and smooth-running steel roller for driven roller conveyors.

Page 57



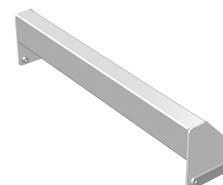
Ø 48 mm 3-part rollers
Used for fixed curves.

Page 58



Stop
Fixed stop

Page 59



Manual stop bar

Page 59



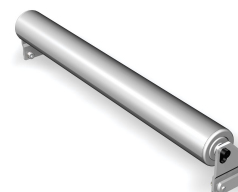
Combi plate

Page 60



End stop

Page 60



Adjustable end stop type BJ

Page 61



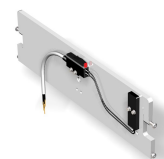
Adjustable end stop with photocell type BJF

Page 61

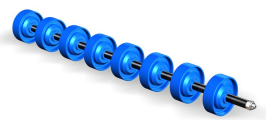

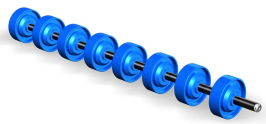
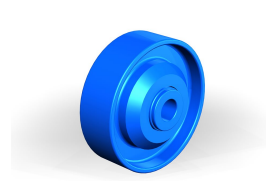
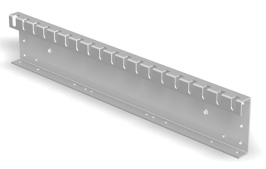

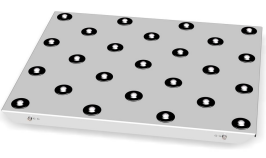
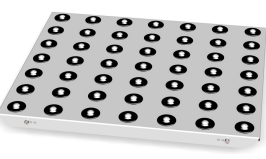
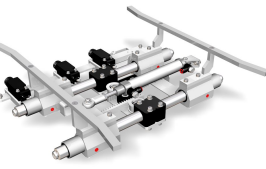
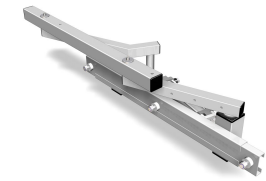


Fixed stop type E-10 with sensor

Page 62



Mechanical end stop	Page 62	
Pneumatic stop type A60	Page 63	
Manual roller stop type BM Used as a stop function on roller conveyors.	Page 64	
Pneumatic roller stop type BP	Page 64	
Control system Emergency stop button	Page 65	
Motor guard	Page 65	
Wheel axles Ø 48 wheel axles - for straight conveyors With single number of wheels.	Page 66	
Ø 48 wheel axles - for straight conveyors With double the number of wheels.	Page 67	
Ø 48 wheel axles - for flexi conveyors With single number of wheels.	Page 68	

<p>Ø 48 wheel axles - for flexi conveyors With double the number of wheels.</p>	<p>Page 69</p>	
<p>Ø 48 wheel axles - for fixed curves With single number of wheels.</p>	<p>Page 70</p>	
<p>Ø 48 wheel axles - for fixed curves With double the number of wheels.</p>	<p>Page 71</p>	
<p>Ø 48 wheel</p>	<p>Page 71</p>	
<p>Various components Frames Used for most modules to accentuate the functional and harmonious design.</p>	<p>Page 72</p>	
<p>Spacing tubes For connection of frames.</p>	<p>Page 73</p>	
<p>Ball tables Asymmetrical ball table for large items</p>	<p>Page 74</p>	
<p>Symmetrical ball table for small items</p>	<p>Page 75</p>	
<p>Positioning and orientation Centring device</p>	<p>Page 76</p>	
<p>Decentring unit type DC</p>	<p>Page 76</p>	

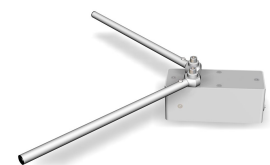
Double distributor unit type FU

Page 77



Bobby

Page 77



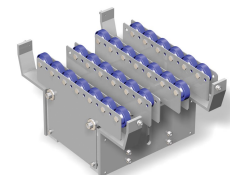
Rotating wheel

Page 78



Non-driven transverse conveyor

Page 79



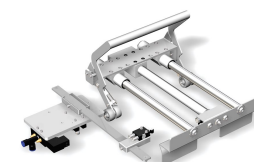
Driven transverse conveyor

Page 79



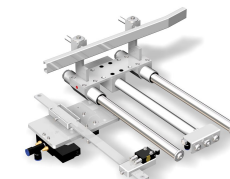
Pusher type CPO
With movable pusher bar.

Page 80



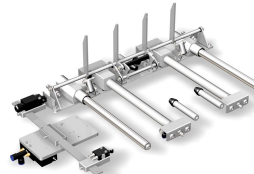
Pusher type CP
With fixed adjustable pusher bar.

Page 80



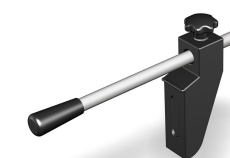
Pusher type CP-F
With movable "fingers".


Page 81




Case turn unit
A simple solution for turning of cases.

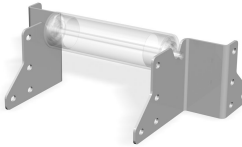
Page 81

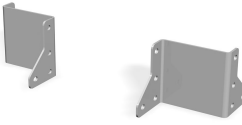


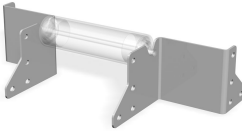
Pneumatic case turn unit	Page 82	
--------------------------	---------	---

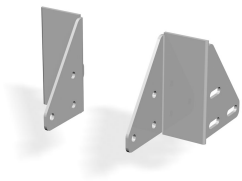
Product orientator TU	Page 82	
-----------------------	---------	---


Fittings for change of conveyor width Type BR100	Page 83	
--	---------	---

Type BRS100	Page 83	
-------------	---------	---

Type BR200	Page 84	
------------	---------	---

Type BRS200	Page 84	
-------------	---------	---

Type BRV	Page 84	
----------	---------	---

Check-weigh units Check-weigh unit with non-driven roller conveyor	Page 85	
--	---------	---


Check-weigh unit with driven roller conveyor	Page 85	
--	---------	---

Table top

Laminated plastic
Loose table top for mounting in conveyor.

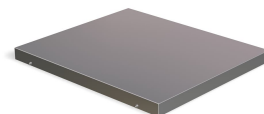
Page 86



Stainless steel

Loose table top for mounting in conveyor.

Page 86



Pop-up rollers

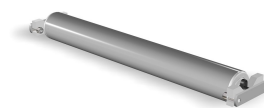
Ø 28 pop-up rollers

Page 86



Ø 48 pop-up rollers

Page 87



Supports

Supports for wheel and roller conveyors
Used for SOCO SYSTEM roller and wheel conveyors for direct mounting on the frames.

Page 88



Supports for fixed curves

Are used for SOCO SYSTEM fixed curves for mounting direct on the frames.

Page 90



Supports for belt conveyors and driven roller conveyors

Used for SOCO SYSTEM belt conveyors and driven roller conveyors for direct mounting on the frames.

Page 92



Supports for driven curves

Used for SOCO SYSTEM driven curves for direct mounting on the frames.








Page 94


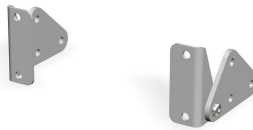
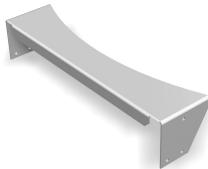


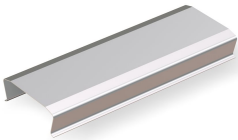
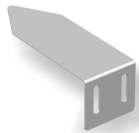
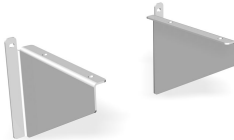


Supports for duplex conveyors

Page 96

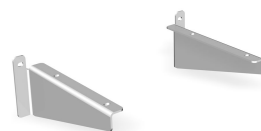


Supports for triplex conveyors	Page 97	
Supports for "First in - First out" 2 conveyors	Page 98	
Supports for "First in - First out" 3 conveyors	Page 100	
Ceiling suspension	Page 102	
Wall suspension	Page 104	
Tiltable support	Page 105	
22° support	Page 106	
Swivel couplings Type A	Page 107	
Type AH	Page 107	

Type C	Page 108	
Type FC	Page 108	
Various accessories Bridging piece for rotary table	Page 109	
Guide edge for rotary table	Page 109	
Braked castors	Page 110	
Brake plates	Page 110	
Case holder Leaves operator's hands free for filling the case.	Page 111	
Console for case sealers	Page 111	

Console for new generation of case sealers

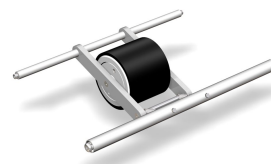
Page 112



Brake rollers

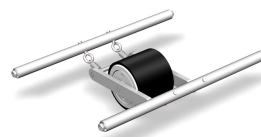
Brake roller type 1

Page 112



Brake roller type 2

Page 113



Machine couplings

C-profile

Page 113



Type MB + C-profile

Page 114



Type FM + C-profile

Page 114



Type FF + C-profile

Page 115



Angle couplings

Type CF

Page 116



Type MC

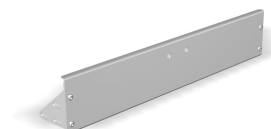
Page 116



End covers

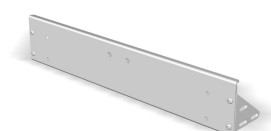
End cover for roller conveyor

Page 116



End cover for flexi conveyor

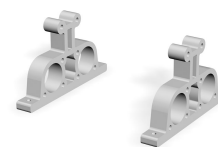
Page 118



Frame couplings

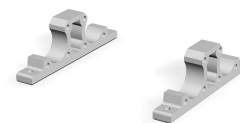
Type DH

Page 118



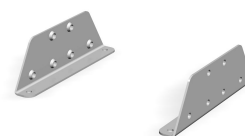
Type DL

Page 119



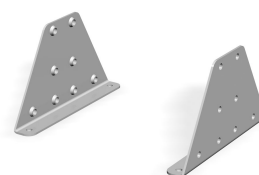
Type VL

Page 119



Type VH

Page 120



Side guides

Side guides

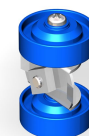
Adjustable side guides bent at the inlet end.

Page 121



Wheel consoles for side guides type A
Used for reduction of friction, e.g. in connection
with transportation of heavy items.

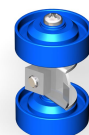
Page 122



Wheel consoles for side guides type B
This type is used at the end of the side guide.

Page 122

Is used for reduction of friction, e.g. in connection
with transport of heavy items.



Low side guide

Page 123



Side guides for 90° non-driven curves

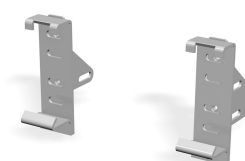
Page 124



Hook couplings

Type X

Page 124



Roller conveyors with 48 mm plastic rollers

SOCO SYSTEM's smooth-running conveyors offer a perfect combination of durability and elegant design.

Versatile conveyor type for many applications. Gradients of between 2.5 and 5 per cent ensure unassisted flow of products depending on type.

The modules can be extended, changed and moved easily and quickly.

- The axle pitch can be changed without the use of tools.
- The system is silent with very little friction.

The conveyors have smoothway frames with no sharp edges.



Specifications

Conveying	
Tubes	Impact-proof plastic.
Rollers	Ø 48 mm.
Axles	Ø 8 mm aluminium.
End bearings	Plastic insert with stainless steel balls.
Frames	Electro-galvanised.
Axle pitch	60, 90, 120 mm.
Width	200, 300, 400, 500, 600 mm.
Length	250, 500, 750, 1000, 1500, 2000, 2500, and 3000 mm.
Load	Per roller: 10 kg. Per metre conveyor: max. 75 kg.

The roller conveyors are also available in stainless steel. Subject to alteration.

Item no.

Width	Length	Axle pitch 60/Item no.	Axle pitch 90/Item no.	Axle pitch 120/Item no.
200	250	450047202	450047203	450047204
	500	450047212	450047213	450047214
	1000	450047222	450047223	450047224
	1500	450047232	450047233	450047234
	2000	450047242	450047243	450047244
	2500	450047262	450047263	450047264
	3000	450047272	450047273	450047274
300	250	450047302	450047303	450047304
	500	450047312	450047313	450047314
	1000	450047322	450047323	450047324
	1500	450047332	450047333	450047334
	2000	450047342	450047343	450047344
	2500	450047362	450047363	450047364
	3000	450047372	450047373	450047374
400	250	450047402	450047403	450047404
	500	450047412	450047413	450047414
	1000	450047422	450047423	450047424
	1500	450047432	450047433	450047434
	2000	450047442	450047443	450047444
	2500	450047462	450047463	450047464
	3000	450047472	450047473	450047474
500	250	450047502	450047503	450047504
	500	450047512	450047513	450047514
	1000	450047522	450047523	450047524
	1500	450047532	450047533	450047534

Non-driven conveyors

Width	Length	Axle pitch 60/Item no.	Axle pitch 90/Item no.	Axle pitch 120/Item no.
500	2000	450047542	450047543	450047544
	2500	450047562	450047563	450047564
	3000	450047572	450047573	450047574
600	250	450047602	450047603	450047604
	500	450047612	450047613	450047614
	1000	450047622	450047623	450047624
	1500	450047632	450047633	450047634
	2000	450047642	450047643	450047644
	2500	450047662	450047663	450047664
	3000	450047672	450047673	450047674

The roller conveyors are also available in stainless steel. All measurements are in mm. Subject to alteration.



The rollers are mounted without the use of tools. It is easy to change the roller pitch or to replace a roller.



Supports are available for floor-, ceiling, or wall mounting.

Accessories

- ▶ Supports for wheel and roller conveyors

Roller conveyors with Ø 48 steel rollers

The rollers are smooth-running and suitable for heavy-duty situations where conditions are particularly demanding.

A decline of 3-5% ensures unassisted item flow.

- The axle pitch can be changed without the use of tools.
- Silent system with very little friction.

The frames of the conveyors are smooth with no sharp edges.



Specifications

Conveying	
Tubes	Electro-galvanised steel.
Rollers	Ø 48 mm.
Axles	Ø 8 mm aluminium.
End bearings	Plastic insert with ball bearing in steel or in stainless steel.
Frames	Electro-galvanised steel.
Axle pitch	60, 90, 120 mm.
Width	200, 300, 400, 500, 600, 800 mm.
Length	250, 500, 750, 1000, 1500, 2000, 2500, and 3000 mm.
Load	Per roller: 10 kg. Per metre conveyor: max. 75 kg.

The roller conveyors are also available in stainless steel. Subject to alteration.

Item no.

Width	Length	Axle pitch 60/Item no.	Axle pitch 90/Item no.	Axle pitch 120/Item no.
200	250	450042202	450042203	450042204
	500	450042212	450042213	450042214
	750	450042252	450042253	450042254
	1000	450042222	450042223	450042224
	1500	450042232	450042233	450042234
	2000	450042242	450042243	450042244
	2500	450042262	450042263	450042264
	3000	450042272	450042273	450042274
300	250	450042302	450042303	450042304
	500	450042312	450042313	450042314
	750	450042352	450042353	450042354
	1000	450042322	450042323	450042324
	1500	450042332	450042333	450042334
	2000	450042342	450042343	450042344
	2500	450042362	450042363	450042364
	3000	450042372	450042373	450042374
400	250	450042402	450042403	450042404
	500	450042412	450042413	450042414
	750	450042452	450042453	450042454
	1000	450042422	450042423	450042424
	1500	450042432	450042433	450042434
	2000	450042442	450042443	450042444
	2500	450042462	450042463	450042464
	3000	450042472	450042473	450042474
500	250	450042502	450042503	450042504
	500	450042512	450042513	450042514
	750	450042552	450042553	450042554

Non-driven conveyors

Width	Length	Axle pitch 60/Item no.	Axle pitch 90/Item no.	Axle pitch 120/Item no.
500	1000	450042522	450042523	450042524
	1500	450042532	450042533	450042534
	2000	450042542	450042543	450042544
	2500	450042562	450042563	450042564
	3000	450042572	450042573	450042574
600	250	450042602	450042603	450042604
	500	450042612	450042613	450042614
	750	450042652	450042653	450042654
	1000	450042622	450042623	450042624
	1500	450042632	450042633	450042634
	2000	450042642	450042643	450042644
	2500	450042662	450042663	450042664
	3000	450042672	450042673	450042674
800	250	450042802	450042803	450042804
	500	450042812	450042813	450042814
	750	450042852	450042853	450042854
	1000	450042822	450042823	450042824
	1500	450042832	450042833	450042834
	2000	450042842	450042843	450042844
	2500	450042862	450042863	450042864
	3000	450042872	450042873	450042874

All measurements are in mm. Subject to alteration.

Accessories

- Supports for wheel and roller conveyors

Roller conveyors with Ø 28 aluminium rollers

The small distance between the rollers makes the conveyor suitable for items that have passed through a shrink tunnel and uneven-based items.



Specifications

Conveying	
Tubes	Anodized aluminium.
Rollers	Ø 28 mm.
Axles	Ø 8 mm aluminium.
End bearings	Plastic insert with stainless steel balls.
Frames	Electro-galvanised steel.
Axle pitch	30 mm.
Width	200, 300, 400, 500, and 600 mm.
Length	250, 500, 750, 1000, 1500, 2000, 2500, and 3000 mm.
Load	Per roller: 10 kg. Per metre conveyor: max. 75 kg.

The roller conveyors are also available in stainless steel. All measurements are in mm. Subject to alteration.

Item no.

Width	Length	Axle pitch 30/ Item no.
200	250	450030201
	500	450030211
	750	450030251
	1000	450030221
	1500	450030231
	2000	450030241
	2500	450030261
300	3000	450030271
	250	450030301
	500	450030311
	750	450030351
	1000	450030321
	1500	450030331
	2000	450030341
400	2500	450030361
	3000	450030371
	250	450030401
	500	450030411
	750	450030451
	1000	450030421
	1500	450030431
500	2000	450030441
	2500	450030461
	3000	450030471
	250	450030501
	500	450030511
	750	450030551

Width	Length	Axle pitch 30/ Item no.
500	1000	450030521
	1500	450030531
	2000	450030541
	2500	450030561
	3000	450030571
600	250	450030601
	500	450030611
	750	450030651
	1000	450030621
	1500	450030631
	2000	450030641
	2500	450030661
	3000	450030671

All measurements are in mm. Subject to alteration.

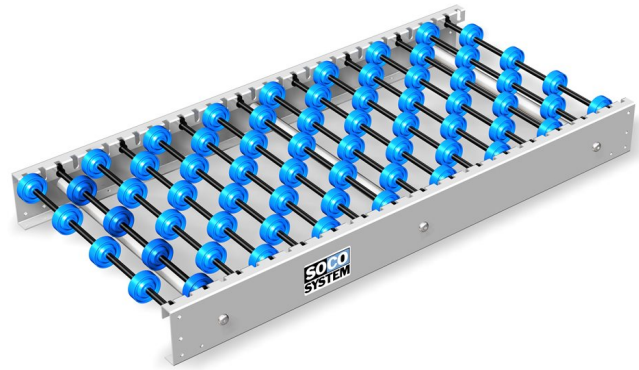
Accessories

- ▶ Supports for wheel and roller conveyors

Wheel conveyors with Ø 48 wheel axles - with single number of wheels

Smooth-running wheel conveyors where the axle pitch and number of wheels can be combined so that even difficult items can be transported.

- The wheels are silent, and a very low decline is required to obtain unassisted flow of items.
- Wheel conveyors are suitable for transport of cardboard cases, plates, and similar items.



Specifications

Conveying	
Rollers	Ø 48 mm wheel axles with single number of wheels. The wheels have stainless steel balls.
Axles	Ø 8 mm steel.
Frames	Electro-galvanised steel.
Axle pitch	30, 60 mm (available in 90 and 120 mm).
Width	200, 300, 400, 500, and 600 mm.
Length	250, 500, 750, 1000, 1500, 2000, 2500, and 3000 mm.

The wheel conveyors are also available in stainless steel. Subject to alteration.

Item no.

Width	Length	Axle pitch 30/Item no.	Axle pitch 60/Item no.
200	250	450013201	450013202
	500	450013211	450013212
	750	450013251	450013252
	1000	450013221	450013222
	1500	450013231	450013232
	2000	450013241	450013242
	2500	450013261	450013262
	3000	450013271	450013272
300	250	450013301	450013302
	500	450013311	450013312
	750	450013351	450013352
	1000	450013321	450013322
	1500	450013331	450013332
	2000	450013341	450013342
	2500	450013361	450013362
	3000	450013371	450013372
400	250	450013401	450013402
	500	450013411	450013412
	750	450013451	450013452
	1000	450013421	450013422
	1500	450013431	450013432
	2000	450013441	450013442
	2500	450013461	450013462
	3000	450013471	450013472
500	250	450013501	450013502
	500	450013511	450013512
	750	450013551	450013552
	1000	450013521	450013522
	1500	450013531	450013532
	2000	450013541	450013542
2500	450013561	450013562	

Non-driven conveyors

Width	Length	Axle pitch 30/Item no.	Axle pitch 60/Item no.
500	3000	450013571	450013572
600	250	450013601	450013602
	500	450013611	450013612
	750	450013651	450013652
	1000	450013621	450013622
	1500	450013631	450013632
	2000	450013641	450013642
	2500	450013661	450013662
	3000	450013671	450013672

All measurements are in mm. Subject to alteration.



Smooth-running castor with stainless steel ball bearing.

Accessories

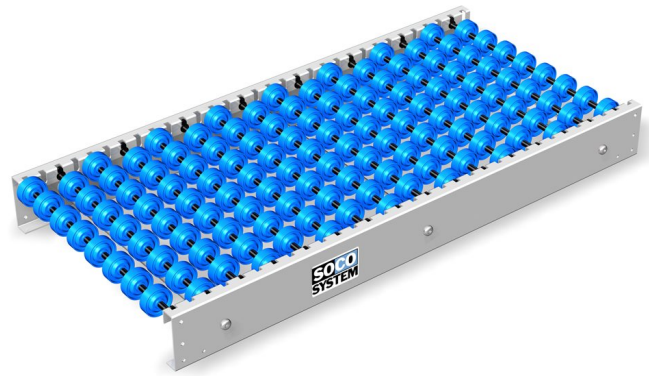
- ▶ Supports for wheel and roller conveyors

Wheel conveyors with Ø 48 wheel axles - with double number of wheels

Smooth-running wheel conveyors where the axle pitch and number of wheels can be combined so that even difficult items can be transported.

- The wheels are silent, and a very low decline is required to obtain unassisted flow of items.

Wheel conveyors are suitable for transport of cardboard cases, plates, and similar items.



Specifications

Conveying

Rollers	Ø 48 mm wheel axles with double number of wheels. The wheels have stainless steel balls.
Axles	Ø 8 mm steel.
Frames	Electro-galvanised steel.
Axle pitch	30, 60 mm (available in 90 and 120 mm).
Width	200, 300, 400, 500, and 600 mm.
Length	250, 500, 750, 1000, 1500, 2000, 2500, and 3000 mm.

The wheel conveyors are also available in stainless steel. Subject to alteration.

Item no.

Width	Length	Axle pitch 30/Item no.	Axle pitch 60/Item no.
200	250	450023201	450023202
	500	450023211	450023212
	750	450023251	450023252
	1000	450023221	450023222
	1500	450023231	450023232
	2000	450023241	450023242
	2500	450023261	450023262
	3000	450023271	450023272
300	250	450023301	450023302
	500	450023311	450023312
	750	450023351	450023352
	1000	450023321	450023322
	1500	450023331	450023332
	2000	450023341	450023342
	2500	450023361	450023362
	3000	450023371	450023372
400	250	450023401	450023402
	500	450023411	450023412
	750	450023451	450023452
	1000	450023421	450023422
	1500	450023431	450023432
	2000	450023441	450023442
	2500	450023461	450023462
	3000	450023471	450023472
500	250	450023501	450023502
	500	450023511	450023512
	750	450023551	450023552
	1000	450023521	450023522
	1500	450023531	450023532
	2000	450023541	450023542
	2500	450023561	450023562

Non-driven conveyors

Width	Length	Axle pitch 30/Item no.	Axle pitch 60/Item no.
500	3000	450023571	450023572
600	250	450023601	450023602
	500	450023611	450023612
	750	450023651	450023652
	1000	450023621	450023622
	1500	450023631	450023632
	2000	450023641	450023642
	2500	450023661	450023662
	3000	450023671	450023672

All measurements are in mm. Subject to alteration.



Smooth-running castor with stainless steel ball bearing.

Accessories

- ▶ Supports for wheel and roller conveyors

Flexi conveyors with Ø 48 wheel axles

Bend easily to suit requirements.

Suitable for small and awkward items.

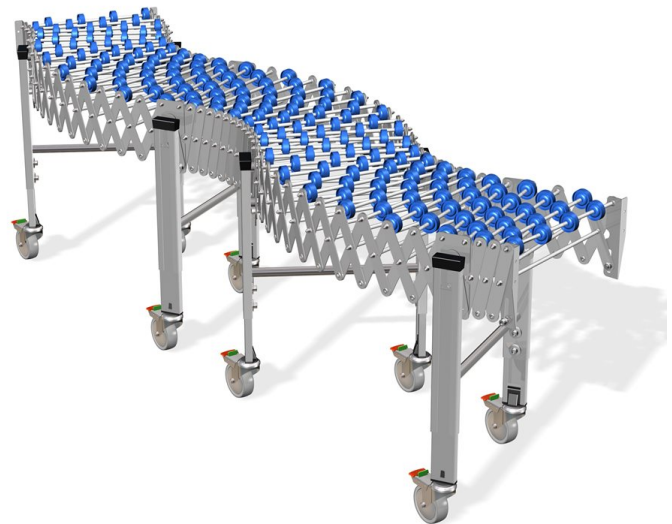
The length is variable from 1520 mm to 5350 mm.

The flexi conveyors are delivered with supports with castors brakeable in the direction of travel and rotation.

The flexi conveyors are available with single or double number of wheels.

A combi plate is recommended for the flexi conveyors. Functions as an end stop and as a handle when moving the conveyor.

- Suitable for loading/unloading of trucks, containers, and wagons.
- Height adjustable.
- Can be folded away for neat storage in minimal space when not in use.



Specifications

Conveying	
Rollers	Ø 48 mm wheel axles with single or double number of wheels per axle. The wheels have stainless steel balls.
Axles	M6 stay bolts in steel.
Frames	Electro-galvanised steel.
Width	300, 400, and 500 mm.
Length	Min. 1520 mm, max. 5350 mm.
Height	695-995 mm.

Subject to alteration.

Item no.

Width	Single number of wheels/Item no.	Double number of wheels/Item no.
300	450163331	450163332
400	450163431	450163432
500	450163531	450163532

All measurements are in mm. Subject to alteration.

Accessories

- ▶ Combi plate

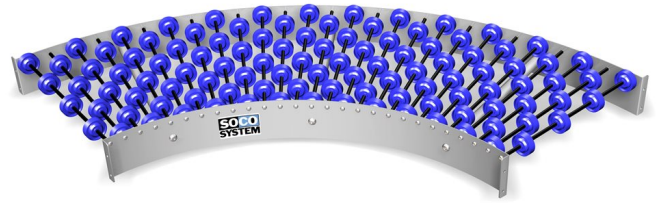
Fixed curves with Ø 48 wheel axles

With single number of wheels.

Suitable for flat-based items.

The curves are available with a guide edge fitted on the inside or on the outside.

Low edge = H1.
High edge = H2.



Suitable for light and small items.

Specifications

Conveying	
Rollers	Ø 48 mm wheel axles with single number of wheels. The wheels have stainless steel balls and double ball races.
Axles	Ø 8 mm steel.
Frames	Electro-galvanised steel.
Axle pitch	Standard axle pitch is 3°, but the curves are available with 6° axle pitch.
Width	200, 300, 400, 500, and 600 mm.
Angle	30°, 60°, and 90°.

Subject to alteration.

Item no.

Width	Angle	H1 inside + H1 outside/Item no.	H1 inside + H2 outside/Item no.	H2 inside + H2 outside/Item no.
200	30°	450103270	450103290	450103280
	60°	450103240	450103260	450103250
	90°	450103200	450103220	450103210
300	30°	450103370	450103390	450103380
	60°	450103340	450103360	450103350
	90°	450103300	450103320	450103310
400	30°	450103470	450103490	450103480
	60°	450103440	450103460	450103450
	90°	450103400	450103420	450103410
500	30°	450103570	450103590	450103580
	60°	450103540	450103560	450103550
	90°	450103500	450103520	450103510
600	30°	450103670	450103690	450103680
	60°	450103640	450103660	450103650
	90°	450103600	450103620	450103610

All measurements are in mm. Subject to alteration.

Accessories

- Supports for fixed curves

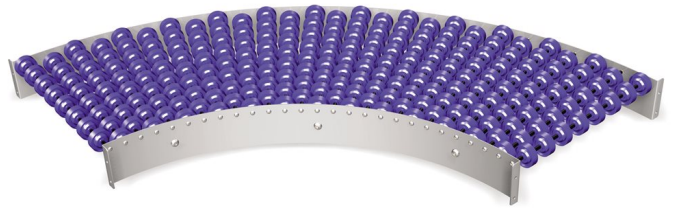
Fixed curves with Ø 48 wheel axles

With double number of wheels.

Suitable for flat-based items.

The curves are available with a guide edge fitted on the inside or on the outside.

Low edge = H1.
High edge = H2.



Suitable for light and very small items.

Specifications

Conveying	
Rollers	Ø 48 mm wheel axles with double number of wheels. The wheels have stainless steel balls and double ball races.
Axles	Ø 8 mm steel.
Frames	Electro-galvanised steel.
Axle pitch	Standard axle pitch is 3°, but the curves are available with 6° axle pitch.
Width	200, 300, 400, 500, and 600 mm.
Angle	30°, 60°, and 90°.

Subject to alteration.

Item no.

Width	Angle	H1 inside + H1 outside/Item no.	H1 inside + H2 outside/Item no.	H2 inside + H2 outside/Item no.
200	30°	450103271	450103291	450103281
	60°	450103241	450103261	450103251
	90°	450103201	450103221	450103211
300	30°	450103371	450103391	450103381
	60°	450103341	450103361	450103351
	90°	450103301	450103321	450103311
400	30°	450103471	450103491	450103481
	60°	450103441	450103461	450103451
	90°	450103401	450103421	450103411
500	30°	450103571	450103591	450103581
	60°	450103541	450103561	450103551
	90°	450103501	450103521	450103511
600	30°	450103671	450103691	450103681
	60°	450103641	450103661	450103651
	90°	450103601	450103621	450103611

All measurements are in mm. Subject to alteration.

Accessories

- Supports for fixed curves

Fixed curves with Ø 48 3-part plastic rollers

The curves are available with a guide edge fitted on the inside or on the outside.

Low edge = H1.
High edge = H2.



Suitable for heavy items and items with edges at the bottom, such as, e.g. plastic boxes.

Specifications

Conveying	
Tubes	Impact proof plastic.
Rollers	Ø 48 mm 3-part rollers.
Axles	Ø10 mm steel.
End bearings	Plastic insert with stainless steel balls.
Frames	Electro-galvanised steel.
Axle pitch	6°.
Width	200, 300, 400, 500, and 600 mm.
Angle	30°, 60°, and 90°.

Subject to alteration.

Item no.

Width	Angle	H1 inside + H1 outside/Item no.	H1 inside + H2 outside/Item no.	H2 inside + H2 outside/Item no.
200	30°	450107276	450107296	450107286
	60°	450107246	450107266	450107256
	90°	450107206	450107226	450107216
300	30°	450107376	450107396	450107386
	60°	450107346	450107366	450107356
	90°	450107306	450107326	450107316
400	30°	450107476	450107496	450107486
	60°	450107446	450107466	450107456
	90°	450107406	450107426	450107416
500	30°	450107576	450107596	450107586
	60°	450107546	450107566	450107556
	90°	450107506	450107526	450107516
600	30°	450107676	450107696	450107686
	60°	450107646	450107666	450107656
	90°	450107606	450107626	450107616

All measurements are in mm. Subject to alteration.

Accessories

- Supports for fixed curves

Fixed curves with conical rollers

Facilitate optimum curve tracking. The rotation speed of the roller always corresponds to that of the item irrespective of whether the item travels on the inside or outside curve.

The curves are available with guide profiles on both the inside- and the outside.

Low guide profile = H1.
High guide profile = H2.

Low guide profile = H1.
High guide profile = H2.



Suitable for fairly heavy items and for items that call for extra good curve tracking.

Specifications

Conveying	
Tubes	Impact-proof plastic.
Rollers	Conical.
Axles	Ø 10 mm steel.
End bearings	Plastic insert. The bearings are available with stainless steel balls.
Frames	Electro-galvanised.
Axle pitch	6°.
Width	300, 400, 500, and 600 mm.
Angle	30°, 60°, and 90°.

Subject to alteration.

Item no.

Width	Angle	H1 inside + H1 outside/item no.	H1 inside + H2 outside/item no.	H2 inside + H2 outside/item no.
300	30°	450127370	450127390	450127380
	60°	450127340	450127360	450127350
	90°	450127300	450127320	450127310
400	30°	450127470	450127490	450127480
	60°	450127440	450127460	450127450
	90°	450127400	450127420	450127410
500	30°	450127570	450127590	450127580
	60°	450127540	450127560	450127550
	90°	450127500	450127520	450127510
600	30°	450127670	450127690	450127680
	60°	450127640	450127660	450127650
	90°	450127600	450127620	450127610

All measurements are in mm. Subject to alteration.

Accessories

- Supports for fixed curves

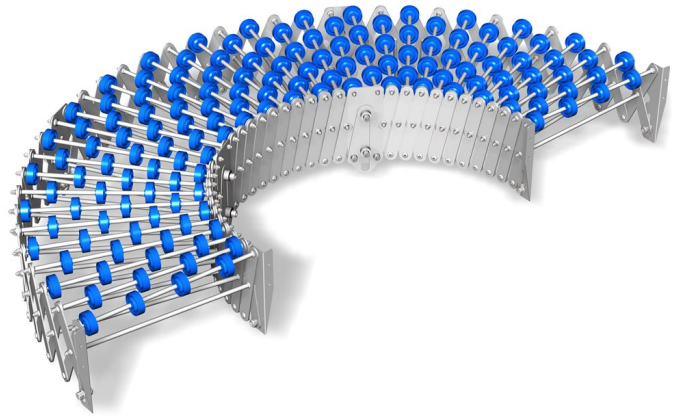
Flexi curves with Ø 48 wheel axles

Suitable for bends of varying degrees.

Single or double number of wheels are chosen depending on the item. For small and oblong items, double number of wheels is recommended.

Supports must be ordered separately.

- Suitable for flat-based items.
- Extremely smooth-running.
- Good curve stability.



Specifications

Conveying	
Rollers	Ø 48 mm wheel axles.
Axles	M6 stay bolts.
Frames	Electro-galvanised.
Axle pitch	Min. 32 mm, max. 130 mm.
Length	Min. 412 mm, max. 1490 mm per section.

Subject to alteration.

Item no.

Width	Up to degree	Single number of wheels/Item no.	Double number of wheels/Item no.
300	60°	450153311	450153312
	120°	450153321	450153322
	180°	450153331	450153332
400	60°	450153411	450153412
	120°	450153421	450153422
	180°	450153431	450153432
500	60°	450153511	450153512
	120°	450153521	450153522
	180°	450153531	450153532

All measurements are in mm. Subject to alteration.

Drive section for driven roller conveyors

With Ø 48 plastic rollers.

The conveyors are used, for instance, where conveyors operate at right angles or where items are pushed from one conveyor to another.

Examples of ordering

Choose a **drive section** in the table. Please note that for total lengths exceeding 4 m, the drive section must always be 2 m long.

Then choose a **coupled section** of a length which together with the drive section provides the desired total length.

Example 1:

1.5 m driven roller conveyor with 60 mm pitch and, 400 mm width.
1-off item no.: 450760743.

Example 2:

3 m driven roller conveyor with pitch 60 mm, width 400 mm.
1 off item no.: 450760744.
1 off item no.: 450761742.

Example 3:

6 m driven roller conveyor with pitch 60 mm, width 400 mm.
1 off item no.: 450762744.
1 off item no.: 450761744.

- The conveyors are silent with smooth frames and no sharp edges.
- Minimum danger of injury - the drive axle is sealed off.



Specifications

Conveying	
Tubes	Ø 48 mm impact-proof plastic.
Axles	Ø 8 mm aluminium.
End bearings	Plastic insert with stainless steel balls.
Drive unit	0.10 kW or 0.37 kW.
Gear	Standard 20:1 = 10 m/min. Other gearings available. A frequency control system can be connected directly to the 3-phase motor.
Drive	With polycord belts from coupled axle to each roller.
Frames	Electro-galvanised steel.
Axle pitch	60 or 90 mm.
Width	300, 400, 500, 600 mm.
Length	500, 750, 1000, 1500, 2000, 2500, 3000 mm.
Total length	Max. 10-12 m depending on the load.
Load	10 kg per roller or max. 75 kg per metre conveyor.

Subject to alteration.

Item no.

Width	Length*	Under 4 m Axle pitch 60/ item no.	Under 4 m Axle pitch 90/ item no.	Over 4 m Axle pitch 60/item no.	Over 4 m Axle pitch 90/ item no.
300	500	450760731	450763731		
	750	450760735	450763735		
	1000	450760732	450763732		
	1500	450760733	450763733		
	2000	450760734	450763734	450762734	450765734
	2500	450760736	450763736		
	3000	450760737	450763737		

Width	Length*	Under 4 m Axle pitch 60/ item no.	Under 4 m Axle pitch 90/ item no.	Over 4 m Axle pitch 60/item no.	Over 4 m Axle pitch 90/ item no.
400	500	450760741	450763741		
	750	450760745	450763745		
	1000	450760742	450763742		
	1500	450760743	450763743		
	2000	450760744	450763744	450762744	450765744
	2500	450760746	450763746		
	3000	450760747	450763747		
	500	500	450760751	450763751	
750		450760755	450763755		
1000		450760752	450763752		
1500		450760753	450763753		
2000		450760754	450763754	450762754	450765754
2500		450760756	450763756		
3000		450760757	450763757		
600		500	450760761	450763761	
	750	450760765	450763765		
	1000	450760762	450763762		
	1500	450760763	450763763		
	2000	450760764	450763764	450762764	450765764
	2500	450760766	450763766		
	3000	450760767	450763767		

*Please note that for total lengths exceeding 4 m, the drive section must always be 2 m long. All measurements are in mm. Subject to alteration.

Accessories

- ▶ Supports for belt conveyors and driven roller conveyors
- ▶ Coupled section for driven roller conveyors

Coupled section for driven roller conveyors

With Ø 48 plastic rollers.

Coupled sections are used together with drive sections.

Example of ordering

Choose **drive section**. Please note that for total lengths exceeding 4 m, the drive section must always be 2 m long.

Then choose a **coupled section** of a length which together with the drive section provides the desired total length.



Specifications

Conveying	
Tubes	Ø 48 mm impact-proof plastic.
Axles	Ø 8 mm aluminium.
End bearings	Plastic insert with stainless steel balls.
Drive	With polycord belts from coupled axle to each roller.
Frames	Electro-galvanised steel.
Axle pitch	60 or 90 mm.
Width	300, 400, 500, 600 mm.
Length	500, 750, 1000, 1500, 2000, 2500, 3000 mm.
Total length	Max. 10-12 m depending on the load.
Load	10 kg per roller or max. 75 kg per metre conveyor.

Subject to alteration.

Item no.

Width	Length	Axle pitch 60/item no.	Axle pitch 90/item no.
300	500	450761731	450764731
	750	450761735	450764735
	1000	450761732	450764732
	1500	450761733	450764733
	2000	450761734	450764734
	2500	450761736	450764736
	3000	450761737	450764737
400	500	450761741	450764741
	750	450761745	450764745
	1000	450761742	450764742
	1500	450761743	450764743
	2000	450761744	450764744
	2500	450761746	450764746
	3000	450761747	450764747
500	500	450761751	450764751
	750	450761755	450764755
	1000	450761752	450764752
	1500	450761753	450764753
	2000	450761754	450764754
	2500	450761756	450764756
	3000	450761757	450764757
600	500	450761761	450764761
	750	450761765	450764765
	1000	450761762	450764762

Width	Length	Axle pitch 60/item no.	Axle pitch 90/item no.
600	1500	450761763	450764763
	2000	450761764	450764764
	2500	450761766	450764766
	3000	450761767	450764767

All measurements are in mm. Subject to alteration.

Accessories

- ▶ Supports for belt conveyors and driven roller conveyors
- ▶ Drive section for driven roller conveyors

Curves with conical rollers 90°

With two drives for high loadings.

The curves are available with guide profiles on both the inside- and the outside.

Low guide profile = H1.

High guide profile = H2.

- Driven curves offer smooth product flow.
- Various gearings and a frequency converter provide adjustability of speed.
- Large and heavy items can easily be transported.
- The curves are silent during operation.



Specifications

Conveying	
Tubes	Impact-proof plastic.
Axles	Ø 10 mm.
Gear	Standard 20:1 = 10 M/min. Other gearings are available. A frequency control system can be connected direct to the 3-phase motor.
Drive	With polycord belts.
Frames	Electro-galvanised steel.
Axle pitch	6°.
Width	300, 400, 500, 600 mm.

Subject to alteration.

Item no.

Width	H1 inside + H1 outside/Item no.	H1 inside + H2 outside/Item no.
300	450137345	450137365
400	450137445	450137465
500	450137545	450137565
600	450137645	450137665

All measurements are in mm. Subject to alteration.

Accessories

- ▶ Supports for belt conveyors and driven roller conveyors

Belt conveyors with roller bedding

Roller bedding is recommended for lengths over 5 m.

Ordering

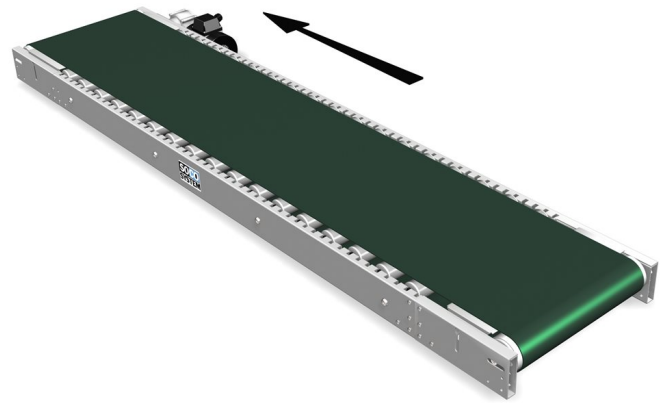
First choose a conveyor of the desired length and width.
Then choose a belt of a corresponding length and width.

Note!

As standard, the motor is fitted on the right side of the belt conveyor, seen in the direction of travel.

If the motor needs to be mounted on the left side, this must be stated upon ordering.

- The construction makes the conveyors ideal for new as well as existing systems.
- Low noise level and smooth surfaces.
- An economical solution for long-distance transportation.



Specifications

Conveying	
Tubes	Ø 48 mm impact proof plastic.
Drive unit	0.12 kW or 0.37 kW.
Gear	Standard 40:1 = 10 m/min. Other gearings available. A frequency control system can be connected direct to the 3-phase motor.
Frames	Electro-galvanised steel.
Width	200, 300, 400, 500, 600 mm.
Length	Available in lengths ranging from 0.75 m to 10 m.

Subject to alteration.

Item no.

Width	Length	Item no.
200	500	
	750	450402072
	1000	450402102
	1500	450402152
	2000	450402202
	2500	450402252
	3000	450402302
	3500	450402352
	4000	450402402
	4500	450402452
	5000	450402502
	5500	450402552
	6000	450402602
	6500	450402652
	7000	450402702
7500	450402752	
8000	450402802	
8500	450402852	
9000	450402902	
9500	450402952	
10000	450402992	
300	500	
	750	450403072
	1000	450403102

Width	Length	Item no.
300	1500	450403152
	2000	450403202
	2500	450403252
	3000	450403302
	3500	450403352
	4000	450403402
	4500	450403452
	5000	450403502
	5500	450403552
	6000	450403602
	6500	450403652
	7000	450403702
	7500	450403752
	8000	450403802
	8500	450403852
	9000	450403902
	9500	450403952
10000	450403992	
400	500	
	750	450404072
	1000	450404102
	1500	450404152
	2000	450404202
	2500	450404252
	3000	450404302
	3500	450404352
	4000	450404402
	4500	450404452
	5000	450404502
	5500	450404552
	6000	450404602
	6500	450404652
	7000	450404702
	7500	450404752
	8000	450404802
8500	450404852	
9000	450404902	
9500	450404952	
10000	450404992	
500	500	
	750	450405072
	1000	450405102
	1500	450405152
	2000	450405202
	2500	450405252
	3000	450405302
	3500	450405352
	4000	450405402
	4500	450405452
	5000	450405502
	5500	450405552
	6000	450405602
	6500	450405652
	7000	450405702
	7500	450405752
	8000	450405802
8500	450405852	
9000	450405902	

Width	Length	Item no.
500	9500	450405952
	10000	450405992

The prices are excluding belts. All measurements are in mm. Subject to alteration.

Accessories

- ▶ Supports for belt conveyors and driven roller conveyors
- ▶ Smooth belts for belt conveyors
- ▶ Grip belts for belt conveyors

Belt conveyors with plate bedding

Plate bedding is recommended for short conveyors or for transport of light items.

Plate bedding with grooves is used for conveyors where width and length are identical or where the conveyor is loaded from the side.

Ordering

First choose a conveyor of the desired length and width. Then choose a belt of a corresponding length and width.

Conveyors with grooved plate bedding always require belts with guide profile.

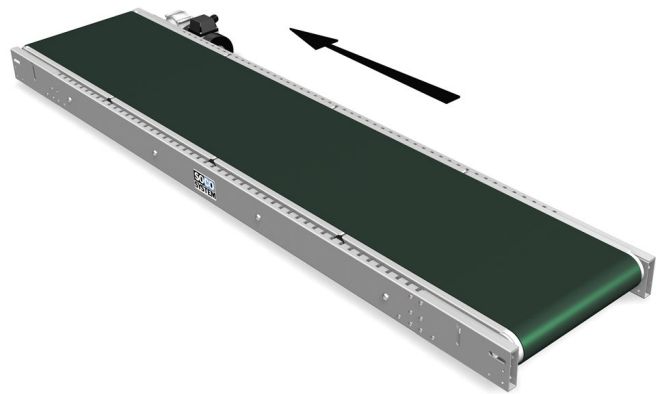
Note!

As standard, the motor is fitted on the right side of the belt conveyor seen in the direction of travel.

If the motor needs to be mounted on the left side, it must be stated upon ordering.

- The construction makes the conveyors ideal for new as well as existing systems.
- Low noise level and smooth surfaces.

An economical solution for long-distance transportation.



Specifications

Conveying	
Tubes	Ø 48 mm impact proof plastic.
Drive unit	0.12 kW or 0.37 kW.
Gear	Standard 40:1 = 10 m/min. Other gearings available. A frequency control system can be connected direct to the 3-phase motor.
Frames	Electro-galvanised steel.
Width	200, 300, 400, 500, 600 mm.
Length	Available in lengths ranging from 0.5 m to 10 m.
Subject to alteration.	

Item no.

Width	Length	Standard/item no.	With grooves/item no.
200	500	450402050	450402051
	750	450402070	450402071
	1000	450402100	450402101
	1500	450402150	450402151
	2000	450402200	450402201
	2500	450402250	450402251
	3000	450402300	450402301
	3500	450402350	450402351
	4000	450402400	450402401
	4500	450402450	450402451
	5000	450402500	450402501
	5500	450402550	450402551
	6000	450402600	450402601
	6500	450402650	450402651
	7000	450402700	450402701
	7500	450402750	450402751
8000	450402800	450402801	
8500	450402850	450402851	
9000	450402900	450402901	

Width	Length	Standard/item no.	With grooves/item no.
200	9500	450402950	450402951
	10000	450402990	450402991
300	500	450403050	450403051
	750	450403070	450403071
	1000	450403100	450403101
	1500	450403150	450403151
	2000	450403200	450403201
	2500	450403250	450403251
	3000	450403300	450403301
	3500	450403350	450403351
	4000	450403400	450403401
	4500	450403450	450403451
	5000	450403500	450403501
	5500	450403550	450403551
	6000	450403600	450403601
	6500	450403650	450403651
	7000	450403700	450403701
	7500	450403750	450403751
	8000	450403800	450403801
	8500	450403850	450403851
	9000	450403900	450403901
9500	450403950	450403951	
10000	450403990	450403991	
400	500	450404050	450404051
	750	450404070	450404071
	1000	450404100	450404101
	1500	450404150	450404151
	2000	450404200	450404201
	2500	450404250	450404251
	3000	450404300	450404301
	3500	450404350	450404351
	4000	450404400	450404401
	4500	450404450	450404451
	5000	450404500	450404501
	5500	450404550	450404551
	6000	450404600	450404601
	6500	450404650	450404651
	7000	450404700	450404701
	7500	450404750	450404751
	8000	450404800	450404801
	8500	450404850	450404851
	9000	450404900	450404901
9500	450404950	450404951	
10000	450404990	450404991	
500	500	450405050	450405051
	750	450405070	450405071
	1000	450405100	450405101
	1500	450405150	450405151
	2000	450405200	450405201
	2500	450405250	450405251
	3000	450405300	450405301
	3500	450405350	450405351
	4000	450405400	450405401
	4500	450405450	450405451
	5000	450405500	450405501
	5500	450405550	450405551
	6000	450405600	450405601
6500	450405650	450405651	

Width	Length	Standard/item no.	With grooves/item no.
500	7000	450405700	450405701
	7500	450405750	450405751
	8000	450405800	450405801
	8500	450405850	450405851
	9000	450405900	450405901
	9500	450405950	450405951
	10000	450405990	450405991

The prices are excluding belts. All measurements are in mm. Subject to alteration.

Accessories

- ▶ Supports for belt conveyors and driven roller conveyors
- ▶ Smooth belts for belt conveyors
- ▶ Grip belts for belt conveyors

Belt conveyors with booster

For gentle transport - up or down.

Inclined and horizontal conveyors are manufactured and combined according to requirements.

Belt

As standard, the booster is fitted with a smooth belt and the conveyor with a grip belt. 0.5 m long boosters wider than 400 mm are always delivered with belts with guide profile.

Contact our sales department regarding food belts and other belt types.

Bedding

As standard, 0.5 m long and 400 mm wide boosters are supplied with grooved plate bedding. Conveyors and boosters of 1 m are supplied with roller bedding.

Contact our sales department if another bedding is required.

Note!

A minimum of three supports is required for a conveyor with booster.

As standard, the motor is fitted on the left side of the booster. For mounting on the other side, please specify this upon ordering.

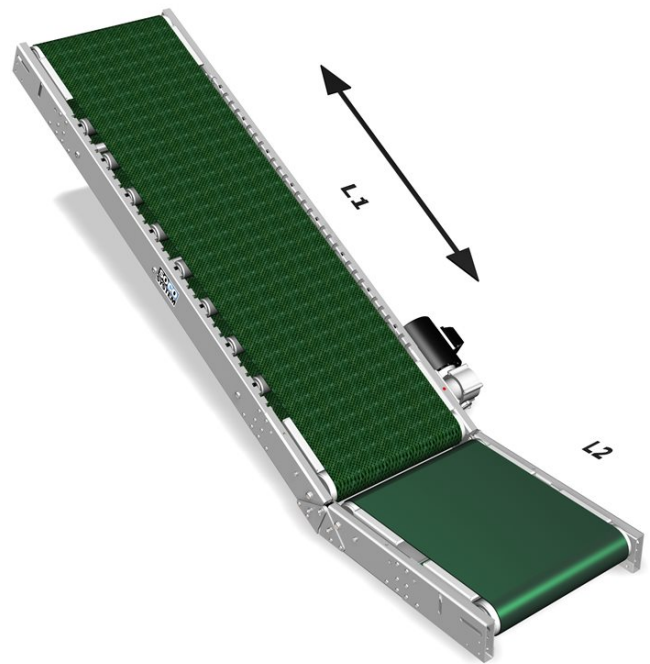
Ordering

Choose a booster of the desired width and length (the booster is the horizontal conveyor).

Then choose the length of the incline conveyor. The item number is stated under the booster.

Then choose the belt.

Ideal for wide transfer angles.



Specifications

Conveying	
Gear	Standard 40:1 = 10 m/min. Other gearings available. A frequency control system can be connected direct to the 3-phase motor.
Frames	Electro-galvanised steel.
Width	200, 300, 400, 500, 600 mm.
Length	The booster is available in lengths of 0.5 m and 1.0 m. The conveyor is available in lengths up to 10 m. For lengths over 5 m, please contact our sales department.

Subject to alteration.

Item no.

Width	Conveyor length (L1)	Booster 0.5 m (L2)/item no.	Booster 1.0 m (L2)/item no.
200	500	450502011	450502212
	1000	450502022	450502222
	1500	450502032	450502232
	2000	450502042	450502242
	2500	450502052	450502252
	3000	450502062	450502262
	3500	450502072	450502272
	4000	450502082	450502282
	4500	450502092	450502292

Width	Conveyor length (L1)	Booster 0.5 m (L2)/item no.	Booster 1.0 m (L2)/item no.
200	5000	450502102	450502302
300	500	450503011	450503212
	1000	450503022	450503222
	1500	450503032	450503232
	2000	450503042	450503242
	2500	450503052	450503252
	3000	450503062	450503262
	3500	450503072	450503272
	4000	450503082	450503282
	4500	450503092	450503292
	5000	450503102	450503302
400	500	450504011	450504212
	1000	450504022	450504222
	1500	450504032	450504232
	2000	450504042	450504242
	2500	450504052	450504252
	3000	450504062	450504262
	3500	450504072	450504272
	4000	450504082	450504282
	4500	450504092	450504292
	5000	450504102	450504302
500	500	450505011	450505212
	1000	450505022	450505222
	1500	450505032	450505232
	2000	450505042	450505242
	2500	450505052	450505252
	3000	450505062	450505262
	3500	450505072	450505272
	4000	450505082	450505282
	4500	450505092	450505292
	5000	450505102	450505302

The prices are excluding belts. All measurements are in mm. Subject to alteration.

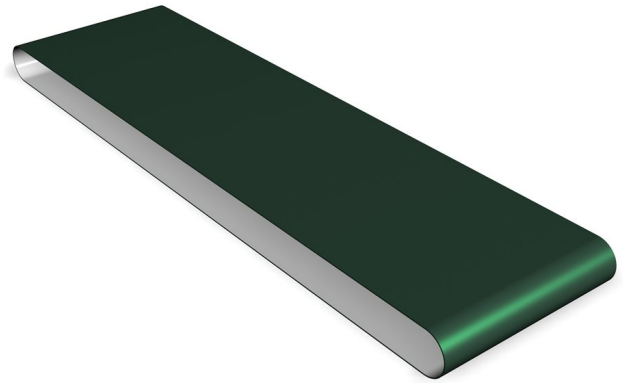
Accessories

- ▶ Supports for belt conveyors and driven roller conveyors

Smooth belts for belt conveyors

For horizontal transportation or inclines of up to 10°.

Belts with guide profiles are always used for conveyors where width and length are identical and where the belt conveyor is loaded from the side.

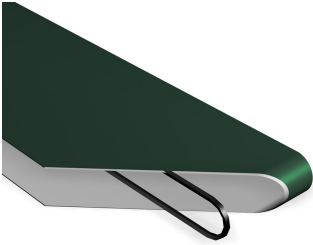


Item no.			
Width	Length	Standard/item no.	With guide profile/item no.
200	500	4262001080	4272001080
	750	4262001560	4272001560
	1000	4262002040	4272002040
	1500	4262003000	4272003000
	2000	4262004080	4272004080
	2500	4262005010	4272005010
	3000	4262005970	4272005970
	3500	4262006930	4272006930
	4000	4262008000	4272008000
	4500	4262008960	4272008960
	5000	4262009910	4272009910
	5500	4262010870	4272010870
	6000	4262011940	4272011940
	6500	4262012900	4272012900
	7000	4262013850	4272013850
	7500	4262014810	4272014810
8000	4262015880	4272015880	
8500	4262016840	4272016840	
9000	4262017790	4272017790	
9500	4262018740	4272018740	
10000	4262019820	4272019820	
300	500	4262101080	4272101080
	750	4262101560	4272101560
	1000	4262102040	4272102040
	1500	4262103000	4272103000
	2000	4262104080	4272104080
	2500	4262105010	4272105010
	3000	4262105970	4272105970
	3500	4262106930	4272106930
	4000	4262108000	4272108000
	4500	4262108960	4272108960
	5000	4262109910	4272109910
	5500	4262110870	4272110870
	6000	4262111940	4272111940
	6500	4262112900	4272112900
	7000	4262113850	4272113850
	7500	4262114810	4272114810
8000	4262115880	4272115880	
8500	4262116840	4272116840	
9000	4262117790	4272117790	
9500	4262118740	4272118740	
10000	4262119820	4272119820	

Width	Length	Standard/item no.	With guide profile/item no.
400	500	4262201080	4272201080
	750	4262201560	4272201560
	1000	4262202040	4272202040
	1500	4262203000	4272203000
	2000	4262204080	4272204080
	2500	4262205010	4272205010
	3000	4262205970	4272205970
	3500	4262206930	4272206930
	4000	4262208000	4272208000
	4500	4262208960	4272208960
	5000	4262209910	4272209910
	5500	4262210870	4272210870
	6000	4262211940	4272211940
	6500	4262212900	4272212900
	7000	4262213850	4272213850
	7500	4262214810	4272214810
	8000	4262215880	4272215880
	8500	4262216840	4272216840
	9000	4262217790	4272217790
	9500	4262218740	4272218740
10000	4262219820	4272219820	
500	500	4262301080	4272301080
	750	4262301560	4272301560
	1000	4262302040	4272302040
	1500	4262303000	4272303000
	2000	4262304080	4272304080
	2500	4262305010	4272305010
	3000	4262305970	4272305970
	3500	4262306930	4272306930
	4000	4262308000	4272308000
	4500	4262308960	4272308960
	5000	4262309910	4272309910
	5500	4262310870	4272310870
	6000	4262311940	4272311940
	6500	4262312900	4272312900
	7000	4262313850	4272313850
	7500	4262314810	4272314810
	8000	4262315880	4272315880
	8500	4262316840	4272316840
	9000	4262317790	4272317790
	9500	4262318740	4272318740
10000	4262319820	4272319820	
600	500	4262401080	4272401080
	750	4262401560	4272401560
	1000	4262402040	4272402040
	1500	4262403000	4272403000
	2000	4262404080	4272404080
	2500	4262405010	4272405010
	3000	4262405970	4272405970
	3500	4262406930	4272406930
	4000	4262408000	4272408000
	4500	4262408960	4272408960
	5000	4262409910	4272409910
	5500	4262410870	4272410870
	6000	4262411940	4272411940
	6500	4262412900	4272412900
	7000	4262413850	4272413850
	7500	4262414810	4272414810

Width	Length	Standard/item no.	With guide profile/item no.
600	8000	4262415880	4272415880
	8500	4262416840	4272416840
	9000	4262417790	4272417790
	9500	4262418740	4272418740
	10000	4262419820	4272419820

All measurements are in mm. Subject to alteration.

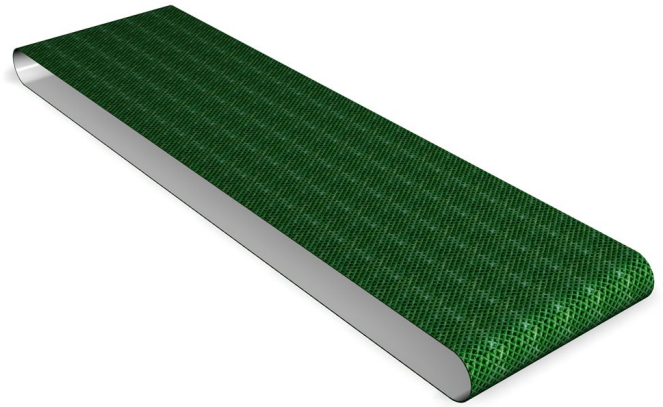


Belt with guide profile.

Grip belts for belt conveyors

Grip belts are recommended for inclines ranging from 10° to 28°.

Belts with guide profiles are used for conveyors where width and length are identical or where the conveyor is loaded from the side.

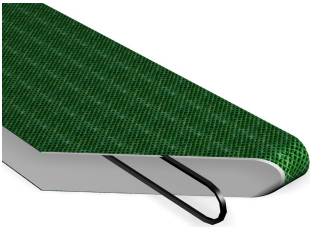


Item no.			
Width	Length	Standard/item no.	With guide profile/item no.
200	500	4260001080	4270001080
	750	4260001560	4270001560
	1000	4260002040	4270002040
	1500	4260003000	4270003000
	2000	4260004080	4270004080
	2500	4260005010	4270005010
	3000	4260005970	4270005970
	3500	4260006930	4270006930
	4000	4260008000	4270008000
	4500	4260008960	4270008960
	5000	4260009910	4270009910
	5500	4260010870	4270010870
	6000	4260011940	4270011940
	6500	4260012900	4270012900
	7000	4260013850	4270013850
	7500	4260014810	4270014810
	300	500	4260101080
750		4260101560	4270101560
1000		4260102040	4270102040
1500		4260103000	4270103000
2000		4260104080	4270104080
2500		4260105010	4270105010
3000		4260105970	4270105970
3500		4260106930	4270106930
4000		4260108000	4270108000
4500		4260108960	4270108960
5000		4260109910	4270109910
5500		4260110870	4270110870
6000		4260111940	4270111940
6500		4260112900	4270112900
7000		4260113850	4270113850
7500		4260114810	4270114810
8000		4260115880	4270115880
8500	4260116840	4270116840	
9000	4260117790	4270117790	
9500	4260118740	4270118740	

Width	Length	Standard/item no.	With guide profile/item no.
300	10000	4260119820	4270119820
400	500	4260201080	4270201080
	750	4260201560	4270201560
	1000	4260202040	4270202040
	1500	4260203000	4270203000
	2000	4260204080	4270204080
	2500	4260205010	4270205010
	3000	4260205970	4270205970
	3500	4260206930	4270206930
	4000	4260208000	4270208000
	4500	4260208960	4270208960
	5000	4260209910	4270209910
	5500	4260210870	4270210870
	6000	4260211940	4270211940
	6500	4260212900	4270212900
	7000	4260213850	4270213850
	7500	4260214810	4270214810
	8000	4260215880	4270215880
8500	4260216840	4270216840	
9000	4260217790	4270217790	
9500	4260218740	4270218740	
10000	4260219820	4270219820	
500	500	4260301080	4270301080
	750	4260301560	4270301560
	1000	4260302040	4270302040
	1500	4260303000	4270303000
	2000	4260304080	4270304080
	2500	4260305010	4270305010
	3000	4260305970	4270305970
	3500	4260306930	4270306930
	4000	4260308000	4270308000
	4500	4260308960	4270308960
	5000	4260309910	4270309910
	5500	4260310870	4270310870
	6000	4260311940	4270311940
	6500	4260312900	4270312900
	7000	4260313850	4270313850
	7500	4260314810	4270314810
	8000	4260315880	4270315880
8500	4260316840	4270316840	
9000	4260317790	4270317790	
9500	4260318740	4270318740	
10000	4260319820	4270319820	
600	500	4260401080	4270401080
	750	4260401560	4270401560
	1000	4260402040	4270402040
	1500	4260403000	4270403000
	2000	4260404080	4270404080
	2500	4260405010	4270405010
	3000	4260405970	4270405970
	3500	4260406930	4270406930
	4000	4260408000	4270408000
	4500	4260408960	4270408960
	5000	4260409910	4270409910
	5500	4260410870	4270410870
	6000	4260411940	4270411940
	6500	4260412900	4270412900
	7000	4260413850	4270413850

Width	Length	Standard/item no.	With guide profile/item no.
600	7500	4260414810	4270414810
	8000	4260415880	4270415880
	8500	4260416840	4270416840
	9000	4260417790	4270417790
	9500	4260418740	4270418740
	10000	4260419820	4270419820

All measurements are in mm. Subject to alteration.



Belt with guide profile.

Belt conveyors with triplex angles

Suitable for transport of items that are not suited for sudden transition from inclined to horizontal transport.

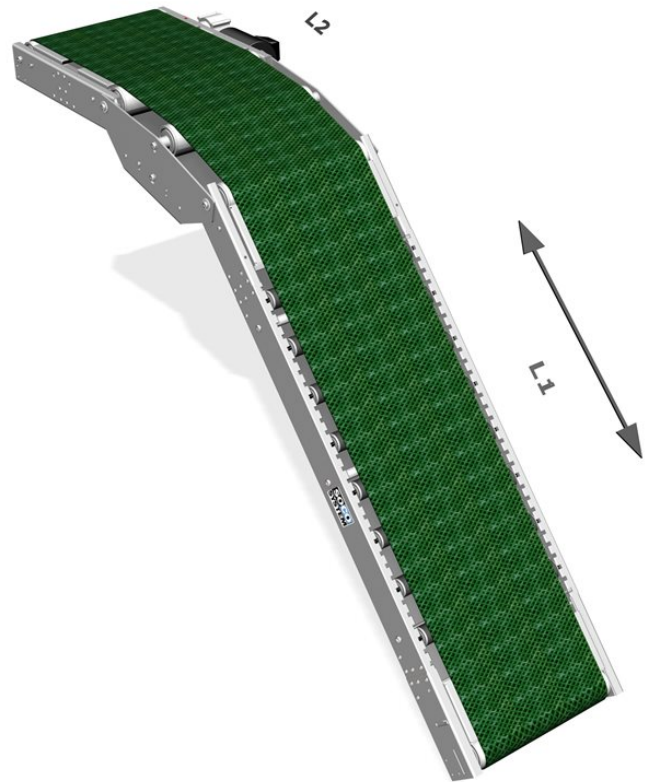
Inclined and horizontal conveyors are manufactured and combined according to requirements.

Available with roller, plate, or grooved plate bedding.

Belts available are smooth belts, grip belts, and food belts.

- Ensure smooth transition between inclined and horizontal transport.
- Suitable for inclined transport of unstable items.
- Low noise level and smooth surfaces.

The speed can be adjusted by means of various gearings or a frequency inverter.



Specifications

Conveying	
Tubes	Ø 48 mm impact proof plastic.
Drive unit	0.12 kW or 0.37 kW.
Gear	Standard 40:1 = 10 m/min. Other gearings available. A frequency control system can be connected direct to the 3-phase motor.
Frames	Electro-galvanised steel.
Width	200, 300, 400, 500, 600 mm.
Length	According to requirements.

Subject to alteration.

Accessories

- ▶ Supports for belt conveyors and driven roller conveyors

Belt conveyors with submounted tension section

Motor and tension section are placed under the conveyor.

The submounted tension section makes it possible to adjust the conveyor belt without changing the length of the conveyor.

A fixed conveyor length is obtained, and this can be important if the conveyor is connected to other modules.

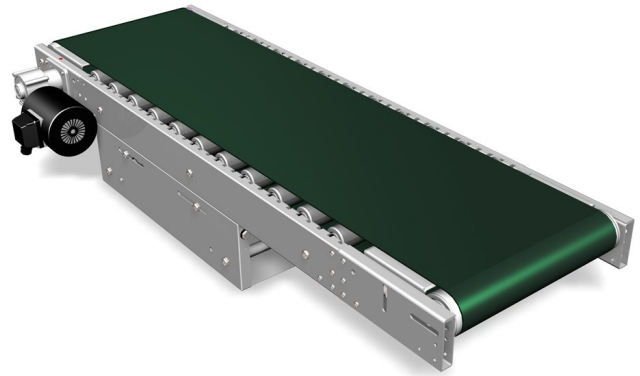
Available with bedding of rollers, plate, and grooved plate.

Belts available are smooth belts, grip belts, and belts with or without guide profile.

Minimum height 350 mm.

- Permanent conveyor length and minimum space requirements.
- The construction makes the conveyors suitable for new as well as existing systems.

Low noise level and smooth surfaces.



Specifications

Conveying	
Tubes	Ø 48 mm impact proof plastic.
Drive unit	0.12 kW or 0.37 kW.
Gear	Standard 40:1 = 10 m/min. Other gearings available. A frequency control system can be connected direct to the 3-phase motor.
Frames	Electro-galvanised steel.
Width	200, 300, 400, 500, 600 mm.
Length	Available in lengths ranging from 0.5 m to 10 m.
Subject to alteration.	

Accessories

- ▶ Supports for belt conveyors and driven roller conveyors

Controller type 1

For automatic feed-in control before case sealers, or where articles need to be separated.

Consists of a roller conveyor with belt conveyor running at standard-speed of 10 m/min.

The roller conveyor is mounted in front of a case sealer, the cases accelerate and are separated.

As standard, the controller is supplied with grip belt with guide profile on the underside and grooved plate bedding.



Item no.	
Width	Item no.
200	
300	450591311
400	450591411
500	450591511
600	450591611

All measurements are in mm. Subject to alteration.

Specifications

Conveying	
Gear	Standard 40:1 = 10 m/min. Other gearings available. A frequency control system can be connected direct to the 3-phase motor.
Frames	Electro-galvanised steel.
Width	400, 500 mm.
Length	1000 mm.
Subject to alteration.	

Controller type 2

For automatic feed-in control before case sealers, or where articles need to be separated.

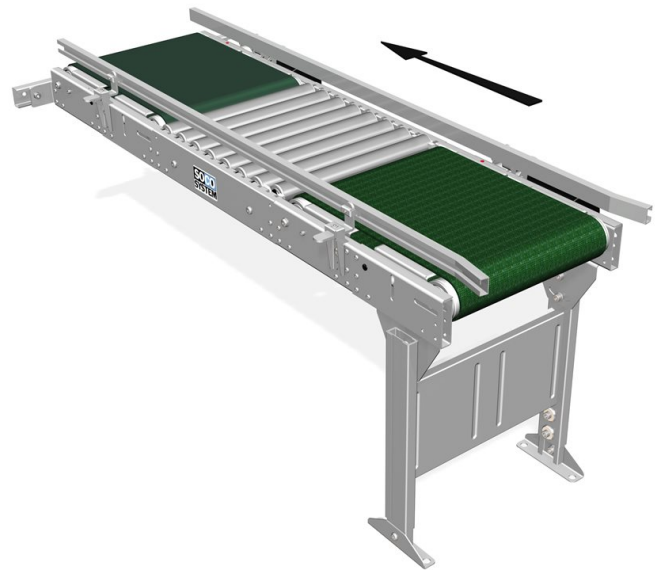
Consists of two conveyors operating at different speeds.

The inlet consists of a conveyor running at 10 m/min. followed by a 0.5 m roller conveyor.

The outlet consists of a conveyor running at 20 m/min.

Acceleration of the items on belt 2 in relation to belt 1 is provided.

As standard, the controller is supplied with grip belt at inlet and smooth belt at outlet. Both belts feature guide profile on the underside. Grooved plate bedding.



Item no.	
Width	Item no.
200	
300	450592311
400	450592411
500	450592511
600	450592611

All measurements are in mm. Subject to alteration.

Specifications

Conveying	
Gear	Inlet 40:1 = 10 m/min. Outlet 20:1 = 20 m/min. Other gearings available. A frequency control system can be connected direct to the 3-phase motor.
Frames	Electro-galvanised steel.
Width	400, 500 mm.
Length	1500 mm.
Subject to alteration.	

Packing table for mounting on conveyor

Complete packing table with plastic laminated plate.

Easy to hook onto the side of a roller conveyor.

The tables are available with or without case holder.



Item no.

Width	Length	Without case holder/ Item no.	With case holder/ Item no.
500	600	450300560	450300561

All measurements are in mm. Subject to alteration.



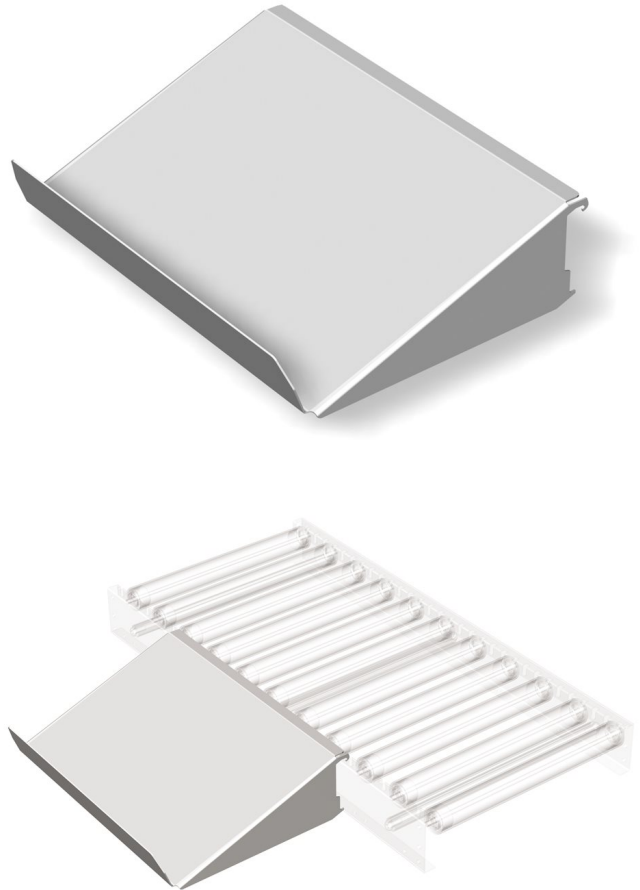
Packing plate

The packing plate is hinged on frames without the use of tools, and it can be moved along the conveyor at intervals of 30 mm.

The special design secures the packing plate under the frames.

The plate is delivered in 18/8 stainless steel with a glass blown surface.

Item no.
Item no.
618901735
Subject to alteration.



Packing tables with bottom flap folder

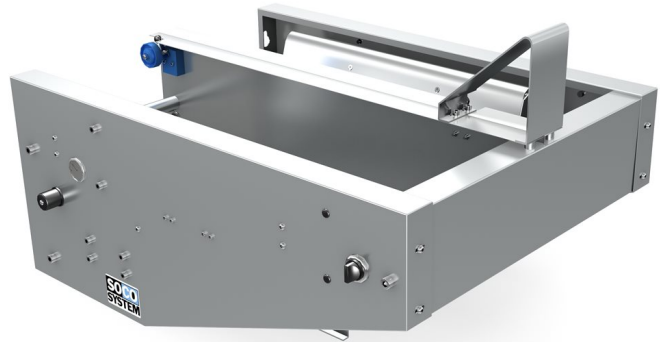
Semi automatic flap folder - F-100

Often used as packing table before a case sealer.

After opening the flat case, the operator slides the case into the bottom flap folder. The sideflaps are automatically folded and the case held firm during filling.

When the case is full, the operator pushes it to sealing or further transport.

F-100 is pneumatically operated and can be connected directly to SOCO SYSTEM case sealers.



Item no.

Machine width	Machine length	Min. case width	Max. case width	Max. case length	Item no.
460	895	190	240	620	444293001
665	895	280	440	620	444295001
875	895	340	650	620	444297001

All measurements are in mm. Subject to alteration.



The case is opened.



The front and rear flaps are folded towards the rail.



The case is led down on the rail and pulled back, and the bottom side flaps are folded.



The case is held firm and is ready for filling.

Packing tables with bottom flap folder

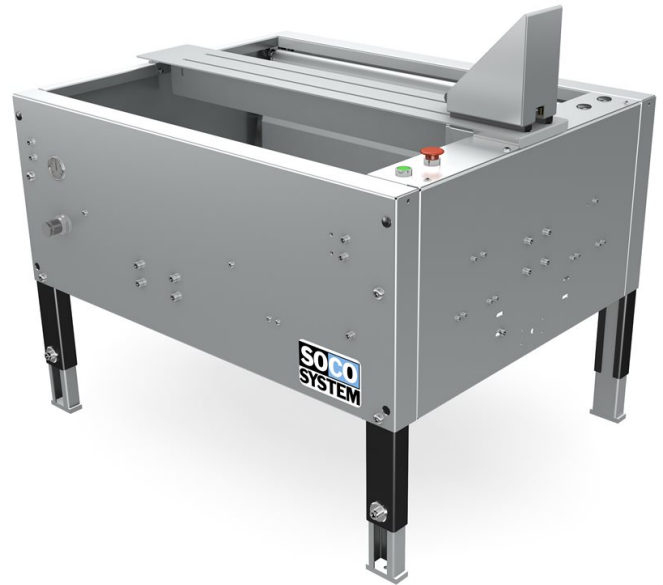
Automatic bottom flap folder - F-100-P

Used as packing table in front of a case sealer or conveyor.

The operator slides the open case into the flap folder. The sideflaps are automatically folded and the case held firm.

When the case is full, at the press of a button the case is automatically pushed into a case sealer or discharged onto a conveyor.

Ideal for handling heavy outers.



Item no.					
Machine width	Machine length	Min. case width	Max. case width	Max. case length	Item no.
510	932.5	230	290	700	480453901
740	932.5	320	520	700	480455901
950	932.5	370	730	700	480457901

All measurements are in mm. Subject to alteration.

Manual tilt table 22°

Offers a good working position during filling of cases.

The tilt table functions as a packaging table with an incline. When the case is full, the packaging table can be tilted to horizontal position manually.

- Round items that are difficult to pack in cases are easily packed on a tilt table.

Space-saving solution. The tilt table can be mounted immediately in front of a semi-automatic case sealer.



Item no.		
Width	Length	Item no.
569	570	453647001
All measurements are in mm. Subject to alteration.		

Width	Length	Item no.
569	570	453647001

All measurements are in mm. Subject to alteration.

Pneumatic tilt table 20°

Offers a good working position during filling of cases.

The tilt table functions as a packaging table with an incline.

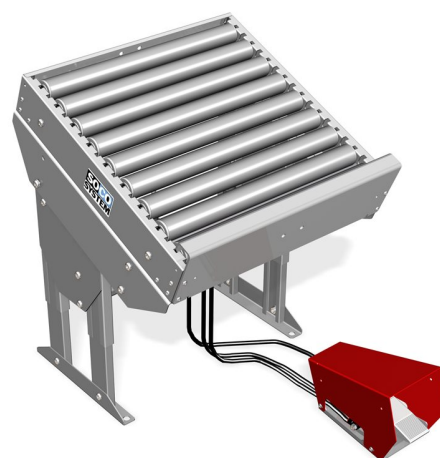
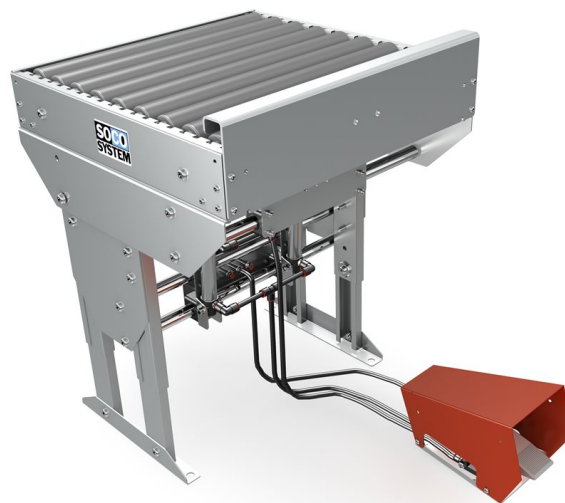
The table is tilted by means of a compressed air cylinder operated by means of a foot pedal.

The pneumatic tilt table is as standard delivered with rollers but is also available with plate.

Available for different directions of travel. Contact our sales department for further information.

- Round items that are difficult to pack in cases are easily packed on a tilt table.

Space saving solution. The tilt table can be mounted immediately in front of a semi-automatic case sealer.



Item no.		
Width	Length	Item no.
570	570	453527001

All measurements are in mm. Subject to alteration.

Rotary tables

A simple and cost efficient solution to accumulation.

SOCO SYSTEM's rotary table is suitable for accumulation of e.g. retail products.

The operator is free to perform other jobs, while, at the same time, interruption of the arrival of products is avoided.

Rotating on the table, the articles are constantly within easy reach. A rational work station offering correct working conditions.

A fan directs the products, and the table is prepared for side guides. The legs are height adjustable.

Specifications

Diameter: Ø 1200 mm.

Height: Min. 715 mm.

Speed: Standard 6.00 rotations per minute. Upon request 3.77, 2.81 and 2.20 rotations per minute are available. Adjustable speed control can also be supplied.

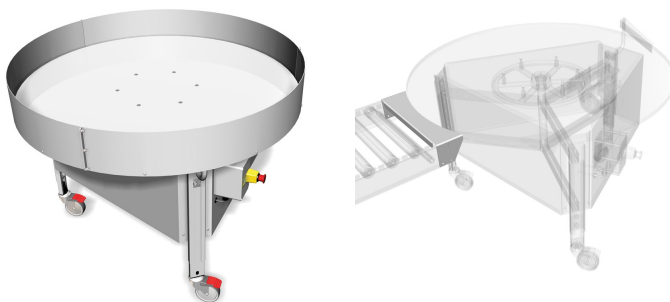
Table top: Plastic-laminated. A solid plastic plate specially suited for the food industry is available upon request. Please contact our sales department.

Braked castors: SOCO SYSTEM castors are of sturdy construction with efficient brakes that lock in the direction of travel and rotation. Standard on SOCO SYSTEM rotary tables.



Item no.	
Rot./min	Item no.
6,00	450906003
3,77	450903703
2,81	450902803
2,20	450902203

Subject to alteration.





Accessories

- ▶ Guide edge for rotary table
- ▶ Bridging piece for rotary table

SOCO SYSTEM's rotary table is available with a table plate in solid plastic. The table is especially suitable for wet environments and in this example is being used at a butcher's for accumulation of meat trays.

SP-502 side pusher

Used to change the transport direction of cases.

The items are pushed by means of "fingers" that are led up between the rollers. The "fingers" then return to their position under the top edge of the rollers.

SP-502 is available in right-hand and left-hand versions. If reversal of the transport direction is required, it is easy to move the bar and to change the rotation of the motor.

Roller conveyor: Driven roller conveyor with Ø 48 mm rollers.

Axle pitch: 62 mm.

Transport Speed: 20 m/min.

Capacity: 20-25 cases/min. Minimum case height 20 mm.

Case weight: Max. 30 kg.

Installation dimensions: (LxWxH) 635 mm x 738 mm x min. 580 mm.

For connection to conveyors, FM coupling fitting is used.



Item no.		
Height	Left-hand version / Item no.	Right-hand version / Item no.
580-750	439540140	439540240
625-900	439540150	439540250
All measurements are in mm. Subject to alteration.		

Boomerang system

The boomerang system is ideal as a "one-man packing station" where a single operator can fill, seal, and palletise cases from practically the same position.

The boomerang packing station allows three operations to be carried out within a very limited area, approx. 8 m²:

1. **Case erecting** and holding the empty case in place. The operator has both hands free for filling.
2. **Case sealing** at the top and bottom, the cases then pass onto the conveyor and accumulate directly behind the operator.
3. **The cases are palletised** when the accumulating conveyor is full.

Delivered complete with supports and coupling fittings.

The entire system can be fitted with castors.



Item no.	
Width	Item no.
300	450180303
400	450180403
500	450180503

All measurements are in mm. Subject to alteration.

Specifications

Conveying	
Tubes	Ø 48 mm impact-proof plastic.
Axles	Ø 8 mm aluminium.
End bearings	Plastic insert with stainless steel balls.
Frames	Electro-galvanised steel.
Axle pitch	As standard, the boomerang system is delivered with a 90 mm pitch. Please contact our sales department if a different pitch is required.
Width	300, 400, 500 mm.
Load	10 kg per roller. Max. 75 kg per metre conveyor.

Subject to alteration.

Accessories

- ▶ Braked castors

Inline system

Offers an efficient and ergonomically correct working station on few square metres when combined with SOCO SYSTEM case sealers.

The inline system is used as packing table in front of the case sealer and as outlet and accumulation line after the machine.

The system consists of a 1 m roller conveyor with case holder in front of the machine and a 1 or 2 m roller conveyor with end stop after the machine.

The roller conveyors are available in standard widths with plastic rollers.

The system is delivered complete with supports and coupling fittings for connection to case sealer.

- The inline system is silent with minimum friction.

The inline system can be fitted with castors.



Specifications

Conveying	
Tubes	Ø 48 mm impact-proof plastic.
Axles	Ø 8 mm aluminium.
End bearings	Plastic insert with stainless steel balls.
Frames	Electro-galvanised steel.
Axle pitch	As standard, the inline system is delivered with a 90 mm pitch. Please contact our sales department if a different pitch is required.
Width	200, 300, 400, 500, 600 mm.
Load	10 kg per roller. Max. 75 kg per metre conveyor.

Subject to alteration.

Item no.

Width	For standard machines (type 5-) 1+1m/ Item no.	For standard machines (type 5-) 1+2m/ Item no.	For wide machines (type 7-) 1+1m / Item no.	For wide machines (type 7-) 1+2m / Item no.
200	450207201	450207202	450207203	450207204
300	450207301	450207302	450207303	450207304
400	450207401	450207402	450207403	450207404
500	450207501	450207502	450207503	450207504
600	450207601	450207602	450207603	450207604

All measurements are in mm. Subject to alteration.

Accessories

- ▶ Braked castors

Rollers

Ø 28 mm aluminium rollers

Hard-wearing and smooth-running aluminium roller.

Used in roller conveyors for transport of short items or items with sharp edges.

Easy mounting in SOCO SYSTEM frames without the use of tools. It is easy to change the roller pitch and replace rollers.



Item no.	
Length	Item no.
200	451310203
300	451310303
400	451310403
500	451310503
600	451310603

Subject to alteration.

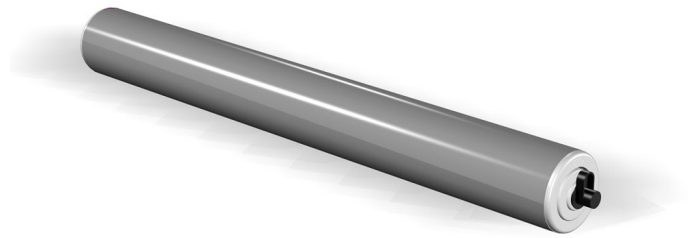
Specifications	
Conveying	
Tubes	Ø 28 mm anodized aluminium.
Axles	Ø 8 mm aluminium.
End bearings	Stainless steel.
Length	200, 300, 400, 500 and 600 mm.
Load	10 kg per roller.

Subject to alteration.

Ø 48 mm plastic rollers

Hard-wearing and smooth-running plastic roller.

Easy mounting in SOCO SYSTEM frames without the use of tools. It is easy to change roller pitch and replace rollers.



Item no.	
Length	Item no.
200	453210204
300	453210304
400	453210404
500	453210504
600	453210604

Subject to alteration.

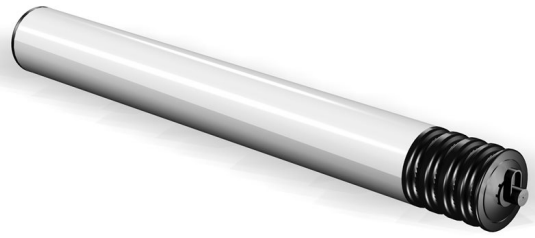
Specifications	
Conveying	
Tubes	Ø 48 mm impact-proof plastic.
Axles	Ø 8 mm aluminium.
End bearings	Plastic insert with balls of stainless steel.
Length	200, 300, 400, 500 and 600 mm.
Load	10 kg per roller.

Subject to alteration.

Ø 48 mm plastic rollers with grooves

Roller for driven roller conveyors.

Easy mounting in SOCO SYSTEM frames without the use of tools. It is easy to change roller pitch and replace rollers.



Item no.	
Length	Item no.
200	453224163
300	453224263
400	453224363
500	453224463
600	453224563

Subject to alteration.

Specifications	
Conveying	
Tubes	Ø 48 mm impact-proof plastic.
Axles	Ø 8 mm aluminium.
End bearings	Plastic insert with balls of stainless steel.
Length	200, 300, 400, 500 and 600 mm.
Load	10 kg per roller.

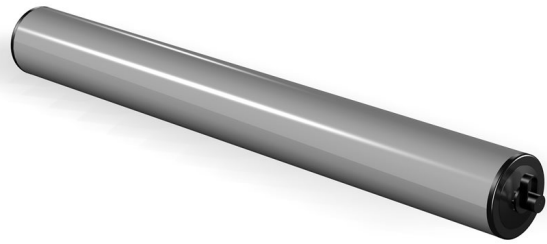
Subject to alteration.

Ø 48 mm plastic rollers with 6000 end bearings

Extra hard-wearing and smooth-running plastic roller.

Rollers with 6000 end bearings can handle heavy loads.

Easy mounting in SOCO SYSTEM frames without the use of tools. It is easy to change roller pitch and replace rollers.



Specifications

Conveying

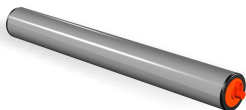
Tubes	Ø 48 mm impact-proof plastic.
Axles	Ø 8 mm aluminium.
End bearings	Plastic insert with steel or stainless steel ball bearing.
Length	200, 300, 400, 500 and 600 mm.
Load	25 kg per roller.

Subject to alteration.

Item no.

Length	Steel end bearing/ Item no.	Stainless steel end bearing/ Item no.
200	451601204	451602204
300	451601304	451602304
400	451601404	451602404
500	451601504	451602504
600	451601604	451602604

Subject to alteration.

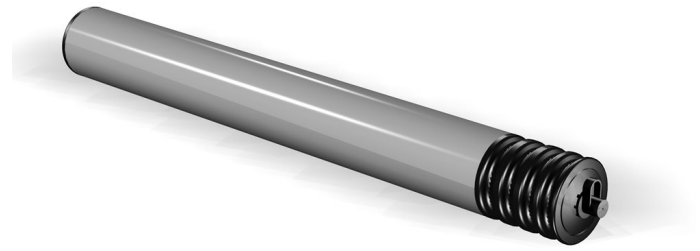


Ø 48 mm plastic rollers with 6000 end bearings with grooves at one end

Extra hard-wearing and smooth-running plastic roller for driven roller conveyors.

Rollers with 6000 end bearings can handle heavy loads.

Easy mounting in SOCO SYSTEM frames without the use of tools. It is easy to change roller pitch and replace rollers.



Specifications

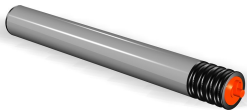
Conveying	
Tubes	Ø 48 mm impact-proof plastic.
Axles	Ø 8 mm aluminium.
End bearings	Plastic insert with steel or stainless steel ball bearing.
Length	200, 300, 400, 500 and 600 mm.
Load	25 kg per roller.

Subject to alteration.

Item no.

Length	Steel end bearing/ Item no.	Stainless steel end bearing/ Item no.
200	451603155	451604155
300	451603255	451604255
400	451603355	451604355
500	451603455	451604455
600	451603555	451604555

Subject to alteration.

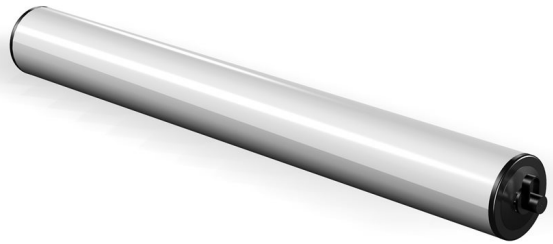


Ø 48 mm steel rollers with 6000 end bearing

Extra hard-wearing and smooth-running steel roller.

Rollers with 6000 end bearings can handle heavy loads.

Easy mounting in SOCO SYSTEM frames without the use of tools. It is easy to change roller pitch and replace rollers.



Specifications

Conveying

Tubes	Ø 48 mm electro-galvanised or stainless steel.
Axles	Ø 8 mm aluminium.
End bearings	Plastic insert with steel or stainless steel ball bearing.
Length	200, 300, 400, 500, 600 or 800 mm.
Load	25 kg per roller.

Subject to alteration.

Item no.

Length	End bearing and tube in steel/ item no.	End bearing and tube in stainless steel/ item no.
200	451610204	451670204
300	451610304	451670304
400	451610404	451670404
500	451610504	451670504
600	451610604	451670604
800	451610804	451670804

Subject to alteration.

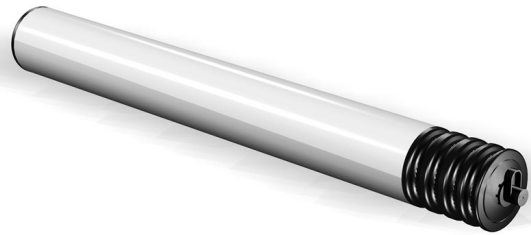


Ø 48 mm steel rollers with 6000 end bearings and grooves at one end

Extra hard-wearing and smooth-running steel roller for driven roller conveyors.

Rollers with 6000 end bearings can handle heavy loads.

Easy mounting in SOCO SYSTEM frames without the use of tools. It is easy to change roller pitch and replace rollers.



Specifications

Conveying	
Tubes	Ø 48 mm electro-galvanised or stainless steel.
Axles	Ø 8 mm aluminium.
End bearings	Plastic insert with steel or stainless steel ball bearing.
Length	200, 300, 400, 500, 600 or 800 mm.
Load	25 kg per roller.

Subject to alteration.

Item no.

Length	End bearing and tube in steel/ Item no.	End bearing and tube in stainless steel/ Item no.
200	451620155	451680155
300	451620255	451680255
400	451620355	451680355
500	451620455	451680455
600	451620555	451680555
800	451620755	451680755

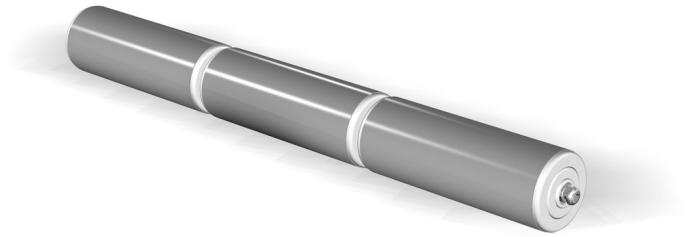
Subject to alteration.



Ø 48 mm 3-part rollers

Used for fixed curves.

This roller type is suited for plastic boxes.



Specifications

Conveying	
Tubes	Ø 48 mm impact-proof plastic.
Axles	Ø 8 mm steel or stainless steel.
End bearings	Plastic insert with balls of stainless steel.
Length	300, 400, 500 and 600 mm.
Load	10 kg per roller.

Subject to alteration.

Item no.

Length	Steel axle/ Item no.	Stainless steel axle/ Item no.
300	453450320	853453320
400	453450420	853453420
500	453450520	853453520
600	453450620	853453620

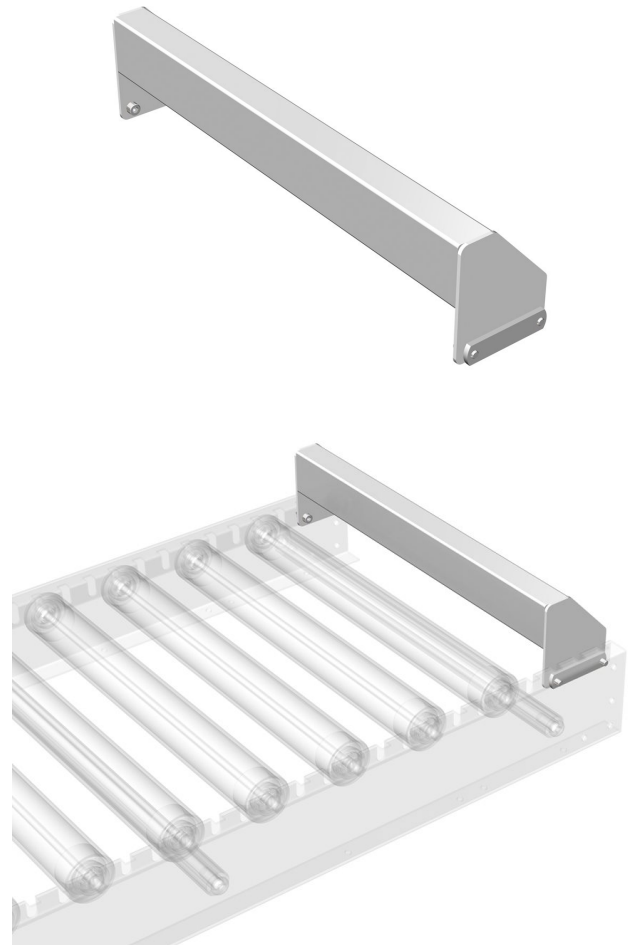
Subject to alteration.

Stop Fixed stop

Used at the end of driven or non-driven conveyors.

Item no.	
Width	Item no.
200	451990200
300	451990300
400	451990400
500	451990500
600	451990600
800	451990800

All measurements are in mm. Subject to alteration.



Manual stop bar

Used for stopping cases on a conveyor.

Can be tilted upwards manually to allow cases to pass.

Item no.	
Width	Item no.
200	451980200
300	451980300
400	451980400
500	451980500
600	451980600
800	451980800

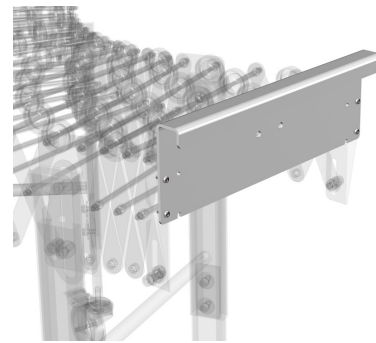
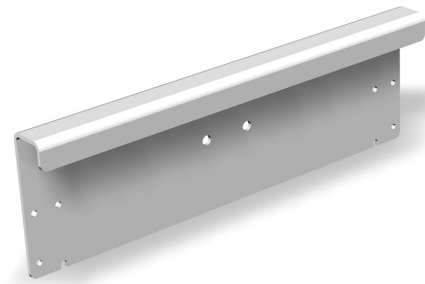
All measurements are in mm. Subject to alteration.



Combi plate

Used as stop and handle on flexi conveyors and as stop on roller conveyors.

A set of CF type angle couplings, item no. 453390010, must be ordered if the combi plate is to function as a stop on roller conveyors.



Item no.	
Width	Item no.
200	450240200
300	450240300
400	450240400
500	450240500
600	450240600
800	450240800

Available in stainless steel. All measurements are in mm. Subject to alteration.

End stop

A raised roller fitted at the end of the roller conveyor works as an end stop. Makes it easy to lift the case off the conveyor.

Supplied complete with roller and fittings.



Item no.		
Width	Ø 48 mm plastic roller/ Item no.	Ø 28 mm steel roller/ Item no.
200	450237201	450234201
300	450237301	450234301
400	450237401	450234401
500	450237501	450234501
600	450237601	450234601

All measurements are in mm. Subject to alteration.

Adjustable end stop type BJ

Mounted on SOCO SYSTEM standard C-profiles on top of the conveyor.

Used if a flexible stop position is required.

Item no.	
Width	Item no.
200	470620200
300	470620300
400	470620400
500	470620500
600	470620600

All measurements are in mm. Subject to alteration.



Adjustable end stop with photocell type BJF

Used when a signal from the end stop, informing that the item is in place and the possibility of adjustment, is required.

Can be mounted directly on the frames.

Item no.	
Width	Item no.
200	
300	474730300
400	474730400
500	474730500
600	474730600

All measurements are in mm. Subject to alteration.

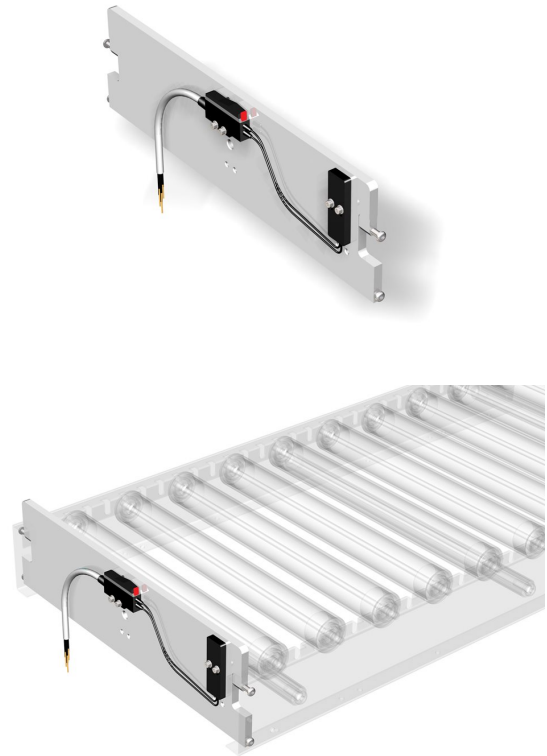


Fixed stop type E-10 with sensor

Used at the end of a roller conveyor when a signal from the end stop, informing that the item is in place, is required.

Item no.	
Width	Item no.
200	
300	474731300
400	474731400
500	474731500
600	474731600
800	474731800

All measurements are in mm. Subject to alteration.



Mechanical end stop

Mechanical end stop with pneumatic or electric transmitter.



Item no.		
Width	Electric function/ Item no.	Pneumatic function/ Item no.
200		
300	474730301	474730302
400	474730401	474730402
500	474730501	474730502
600	474730601	474730602
800	474730801	474730802

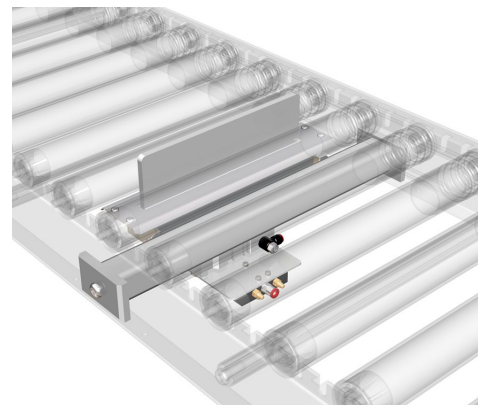
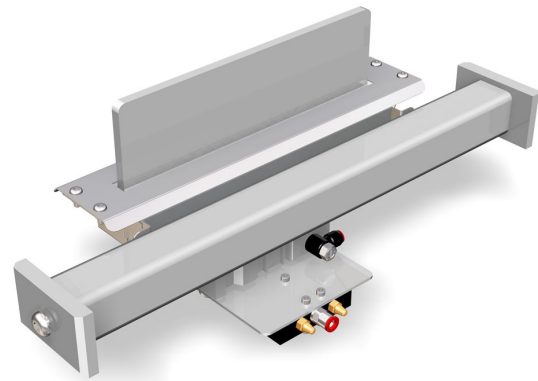
All measurements are in mm. Subject to alteration.

Pneumatic stop type A60

Used as a stop on roller conveyors. Activated by a photocell with optional placing on the conveyor.

The stop can be installed on all SOCO SYSTEM roller conveyors with a roller pitch of 60 mm and more.

The photocell control system is delivered separately.



Item no.		
Width	Excl. transmitter/ Item no.	Incl. transmitter/ Item no.
300	471460301	471460311
400	471460401	471460411
500	471460501	471460511
600	471460601	471460611
800	471460801	471460811

All measurements are in mm. Subject to alteration.



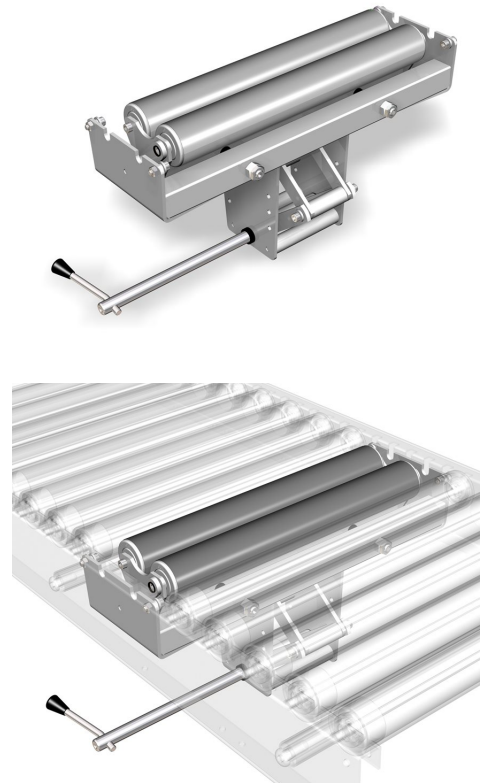
Manual roller stop type BM

Used as a stop function on roller conveyors.

The stop is activated manually.

Item no.	
Width	Item no.
300	451960370
400	451960470
500	451960570
600	451960670

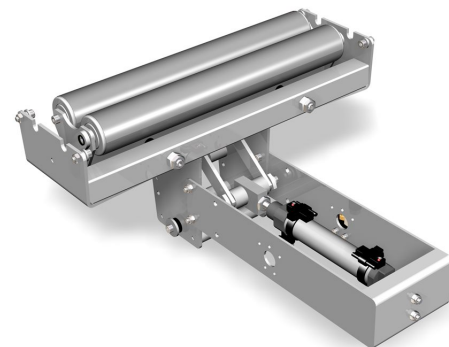
All measurements are in mm. Subject to alteration.



Pneumatic roller stop type BP

Is used as stop function in roller conveyor.

The stop is activated pneumatically.



Item no.		
Width	Foot valve/ Item no.	24 V DC PNP/ Item no.
300	451970370	451970371
400	451970470	451970471
500	451970570	451970571
600	451970670	451970671
800	451970870	451970871

All measurements are in mm. Subject to alteration.

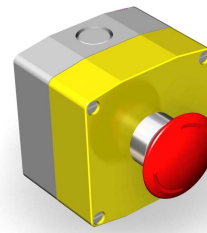
Control system

Emergency stop button

Optional placing on the frame sides.

Must be part of an overall control system of conveyors.

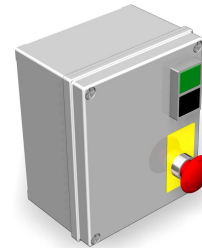
Item no.
Ref. N°
448290001
Subject to alteration.



Motor guard

Available in a manually or solenoid operated version with or without a thermal sensor cutting off in case of motor overloading.

When ordering, supply voltage, control voltage, and motor amperage must be stated.

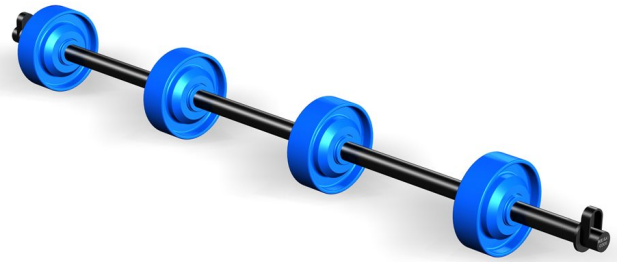


Wheel axles

Ø 48 wheel axles - for straight conveyors

With single number of wheels.

Used especially for light items with a flat base and large, light items.



Specifications

Conveying	
Axles	Ø 8 mm steel or stainless steel.
Load	10 kg per wheel axle.
Wheel	Blue plastic wheel with stainless steel balls.

Subject to alteration.

Item no.

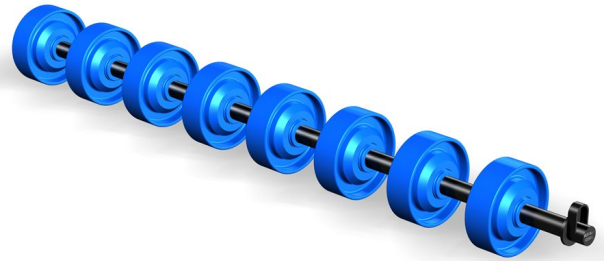
Length	Steel axle/ Item no.	Stainless steel axle/ Item no.
200	451203201	451203211
300	451203301	451203311
400	451203401	451203411
500	451203501	451203511
600	451203601	451203611

Subject to alteration.

Ø 48 wheel axles - for straight conveyors

With double the number of wheels.

Used especially for small and light items with a flat base.



Specifications

Conveying	
Axles	Ø 8 mm steel or stainless steel.
Load	10 kg per wheel axle.
Wheel	Blue plastic wheel with stainless steel balls.

Subject to alteration.

Item no.

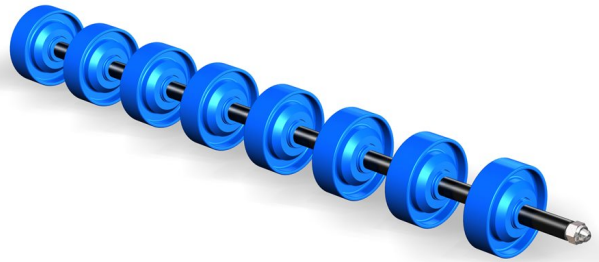
Length	Steel axle/ Item no.	Stainless steel axle/ Item no.
200	451203202	451203212
300	451203302	451203312
400	451203402	451203412
500	451203502	451203512
600	451203602	451203612

Subject to alteration.

Ø 48 wheel axles - for flexi conveyors

With double the number of wheels.

Used especially for small and light items with a flat base.



Specifications

Conveying	
Axles	Ø 8 mm steel or stainless steel.
Load	10 kg per wheel axle.
Wheel	Blue plastic wheel with stainless steel balls.

Subject to alteration.

Item no.

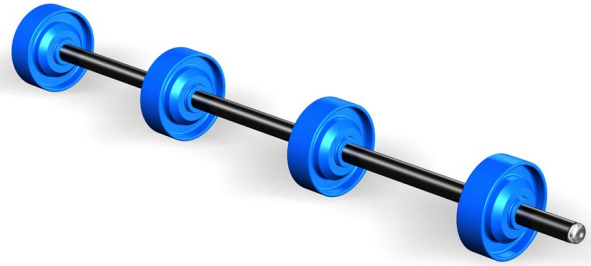
Length	Steel axle/ Item no.	Stainless steel axle/ Item no.
300	451213302	451213312
400	451213402	451213412
500	451213502	451213512

Subject to alteration.

Ø 48 wheel axles - for fixed curves

With single number of wheels.

Used especially for light items with a flat base.



Specifications

Conveying	
Axles	Ø 8 mm steel or stainless steel.
Load	10 kg per wheel axle.
Wheel	Blue plastic wheel with stainless steel balls.

Subject to alteration.

Item no.

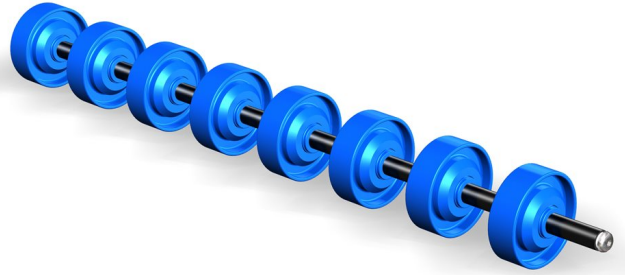
Length	Steel axle/ Item no.	Stainless steel axle/ Item no.
200	451233201	451233211
300	451233301	451233311
400	451233401	451233411
500	451233501	451233511
600	451233601	451233611

Subject to alteration.

Ø 48 wheel axles - for fixed curves

With double the number of wheels.

Used especially for small and light items with a flat base.



Specifications

Conveying	
Axles	Ø 8 mm steel or stainless steel.
Load	10 kg per wheel axle.
Wheel	Blue plastic wheel with stainless steel balls.

Subject to alteration.

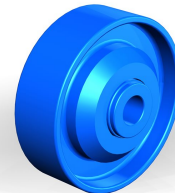
Item no.

Length	Steel axle/ Item no.	Stainless steel axle/ Item no.
200	451233202	451233212
300	451233302	451233312
400	451233402	451233412
500	451233502	451233512
600	451233602	451233612

Subject to alteration.

Ø 48 wheel

Blue plastic wheel with stainless steel balls.



Item no.

Axle diameter	Item no.
Ø 8,2	6000001015
Ø 6,5	6000000999

Subject to alteration.

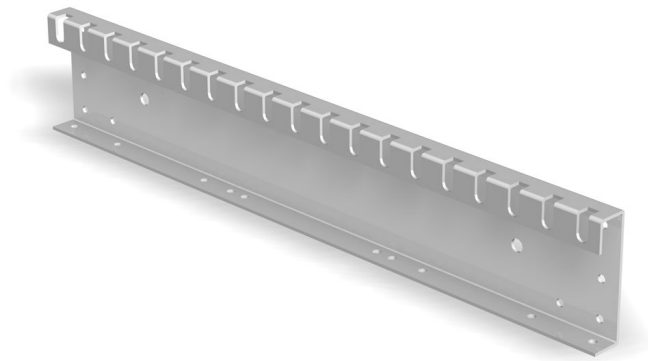
Various components

Frames

Used for most modules to accentuate the functional and harmonious design.

The surface of the frames is agreeably smooth, and there are no sharp edges.

The frames are ready for use with holes for rollers, spacing tubes, coupling fittings, etc.



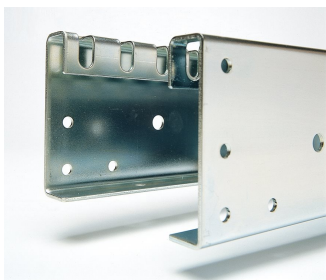
Specifications

Conveying	
Length	250, 500, 750, 1000, 1500, 2000, 2500 or 3000 mm.
Surface treatment	Electro galvanised or stainless steel.
Subject to alteration.	

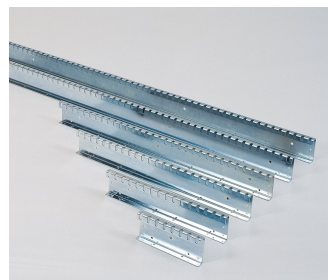
Item no.

Rated length	Actual length	Electro-galvanised steel/ Item no.	Stainless steel/ Item no.
250	240	209600240	609600240
500	480	209600480	609600480
750	750	209600750	609600750
1000	960	209600960	609600960
1500	1500	209601500	609601500
2000	1980	209601980	609601980
2500	2460	209602460	609602460
3000	3000	209603000	609603000

All measurements are in mm. Subject to alteration.



The frames are prepared for supports and coupling fittings, etc. SOCO SYSTEM rollers and wheel axles are placed directly in the frames without the use of tools.



Available in lengths ranging from 250 mm to 3000 mm, the SOCO SYSTEM frames offer many possible combinations and are suited for practically any application.

Accessories

- Spacing tubes

Spacing tubes

For connection of frames.

Spacing tubes are easily and quickly mounted.

For mounting, use 2 cup head screws 10 x 20. Order item no. 1510710020.



Item no.	
Width	Item no.
200	451872640
300	451873640
400	451874640
500	451875640
600	451876640

All measurements are in mm. Subject to alteration.

Specifications	
Conveying	
Length	200, 300, 400, 500, 600 mm.
Surface treatment	Anodised aluminium.
Subject to alteration.	

Ball tables

Asymmetrical ball table for large items

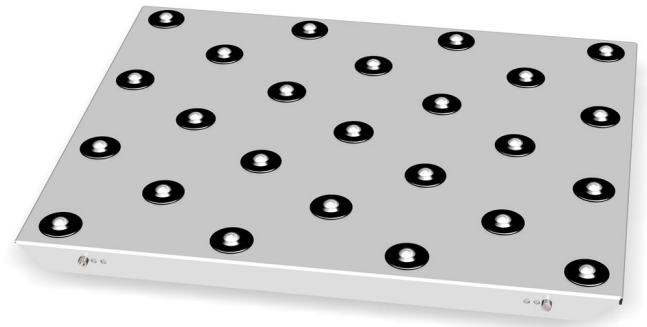
The table is mounted in SOCO SYSTEM roller conveyors without the use of tools.

The asymmetrical ball table has wider spacing between the balls.

Specifications

Housing: Synthetic material.

Load: 75 kg per table.



Specifications

Conveying

Load 75 kg per table.

Surface treatment Electro-galvanised or stainless steel.

Subject to alteration.

Item no.

Width	L 1	L 2	Number of balls	Electro-galvanised steel/ item no.	Stainless steel/ item no.
200	319	219	8	450312308	850312308
300	219	319	8	450312308	850312308
300	419	319	13	450313413	850313413
400	319	419	13	450313413	850313413
400	519	419	18	450314518	850314518
500	419	519	18	450314518	850314518
500	619	519	25	450315625	850315625
600	519	619	25	450315625	850315625

Subject to alteration.



Cases are easily turned and transferred on a ball table.

Symmetrical ball table for small items

Cartons are easily turned and transferred on a ball table.

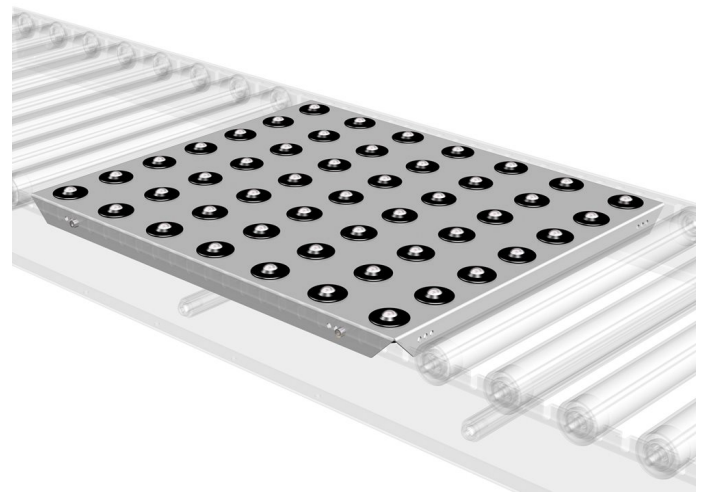
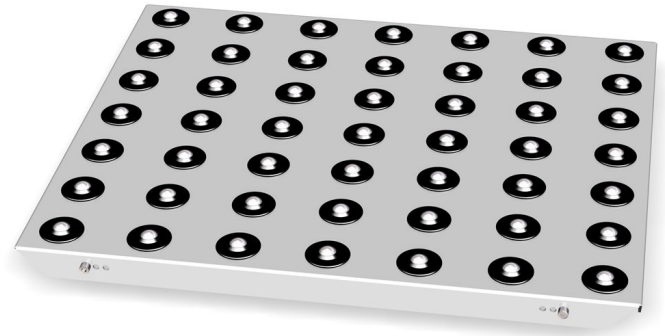
The table is mounted in SOCO SYSTEM roller conveyors without the use of tools.

The symmetrical ball table has a short distance between the balls.

Specifications

Housing: Synthetic material.

Load: 75 kg per table.



Specifications

Conveying

Load 75 kg per table

Surface treatment Electro-galvanised or stainless steel.

Item no.

Width	L 1	L 2	Number of balls	Electro-galvanised steel/ item no.	Stainless steel/ item no.
200	319	219	15	450312315	850312315
300	219	319	15	450312315	850312315
300	419	319	25	450313425	850313425
400	319	419	25	450313425	850313425
400	519	419	35	450314535	850314535
500	419	519	35	450314535	850314535
500	619	519	49	450315649	850315649
600	519	619	49	450315649	850315649

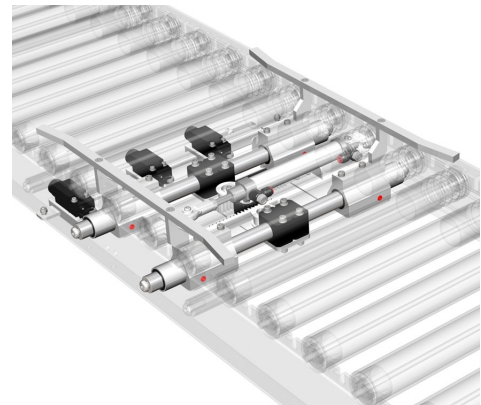
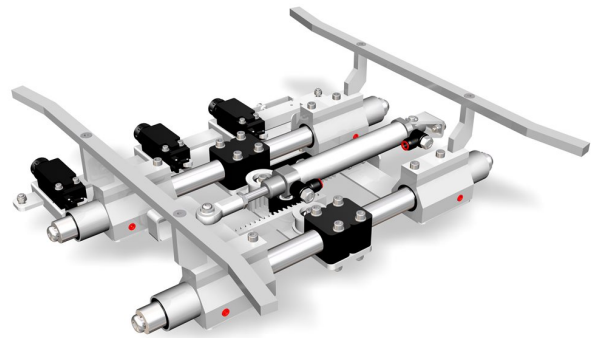
Subject to alteration.

Positioning and orientation

Centring device

Used for centring of cases on the conveyor.

Please contact our sales department for further information.

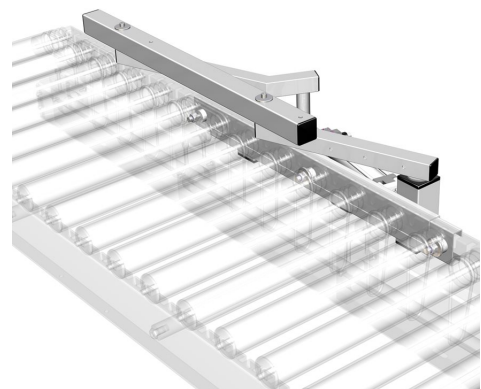
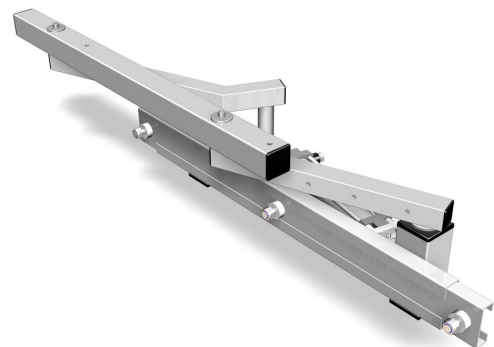


Decentring unit type DC

Used for decentring of cases on a line if, for instance, one row is split into 2 parallel rows.

Please note that the unit reduces the effective width of the conveyor.

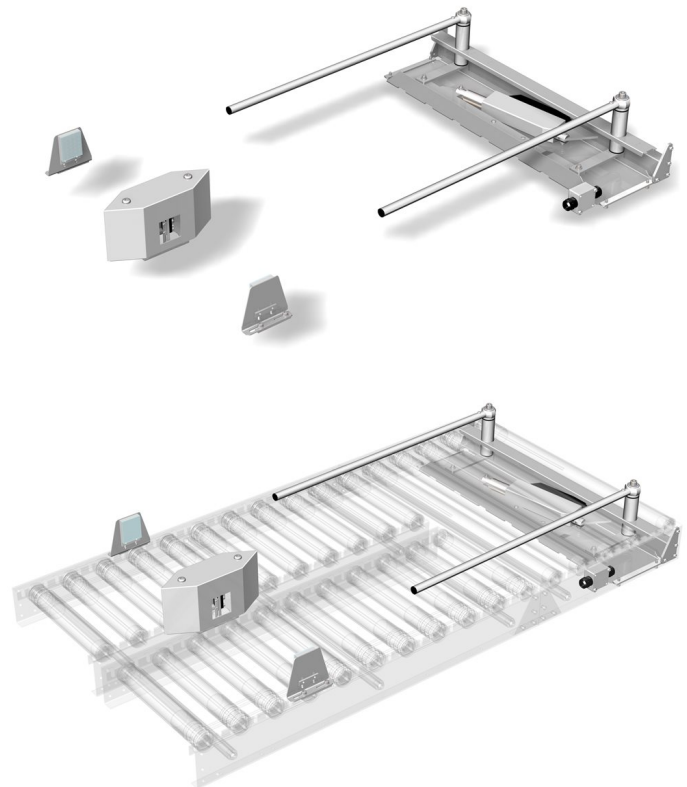
Please contact our sales department for further information.



Double distributor unit type FU

Used for distribution of cases or buckets from one line to two parallel lines.

Please contact our sales department for further information.

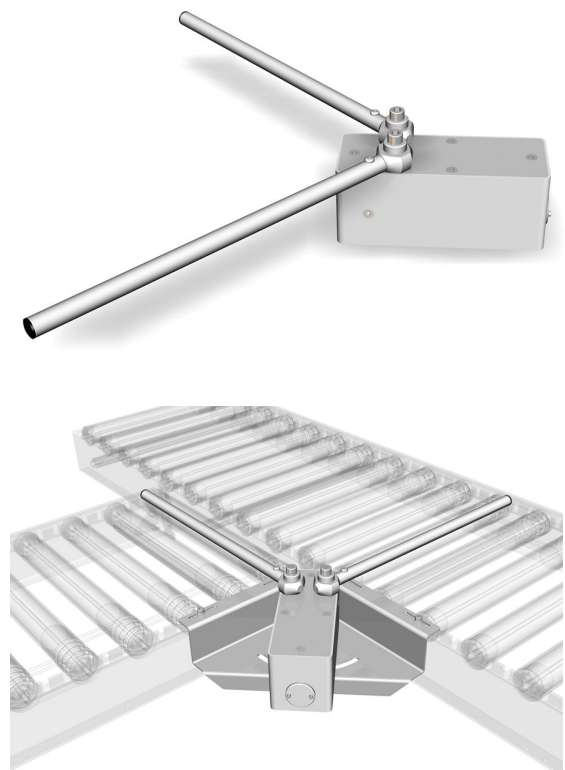


Bobby

Typically used where 2 conveyors are joined and where items from the adjacent conveyor are to be transferred to the main conveyor and, at the same time, turned 90°.

The bobby is delivered as a mechanical unit with or without an electric switch.

The switch registers the position of the arm and can be incorporated in a control system.



Item no.		
Length	Standard/ Item no.	Incl. switch/ Item no.
300	450283302	450284302

Length	Standard/ Item no.	Incl. switch/ Item no.
400	450283402	450284402
500	450283502	450284502

All measurements are in mm. Subject to alteration.

Accessories

- ▶ Rotating wheel

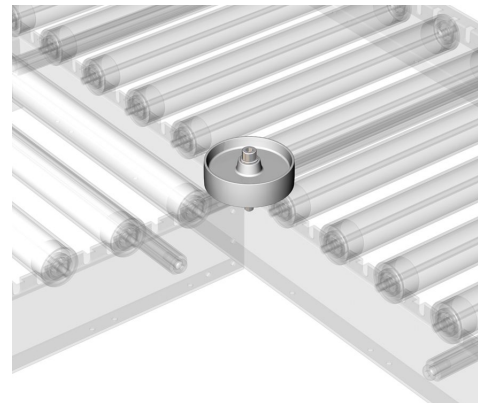
Rotating wheel

Used for right angle transfer to driven roller conveyor.

The rotating wheel in the driven conveyor guides the carton in the curve.

Often used in connection with a bobby.

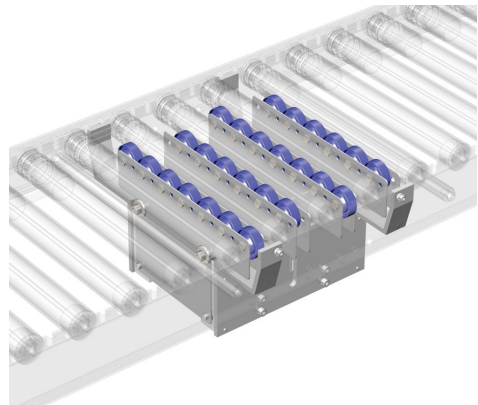
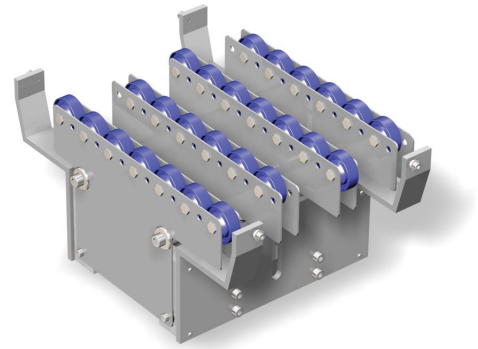
Item no.
465270100
Subject to alteration.



Non-driven transverse conveyor

Typically used in semiautomatic systems where 2 conveyors are joined and where items from the main conveyor are to be transferred to the adjacent conveyor without 90° turning.

Please contact our sales department for further information.

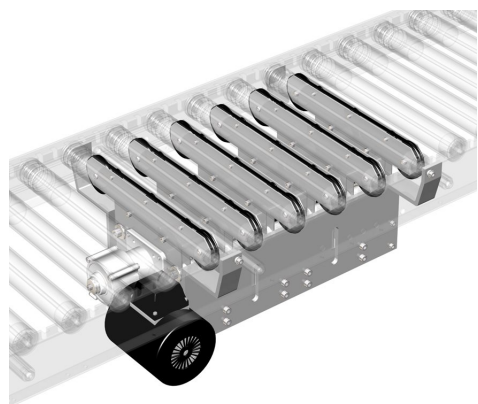
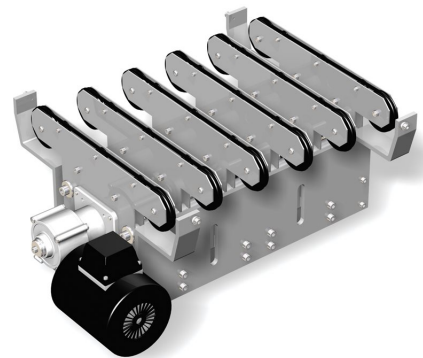


Driven transverse conveyor

Typically used in automatic systems where 2 conveyors are joined and where items from the adjacent conveyor are to be transferred to the main conveyor without 90° turning.

Type 46686.

Please contact our sales department for further information.



Pusher type CPO

With movable pusher bar.

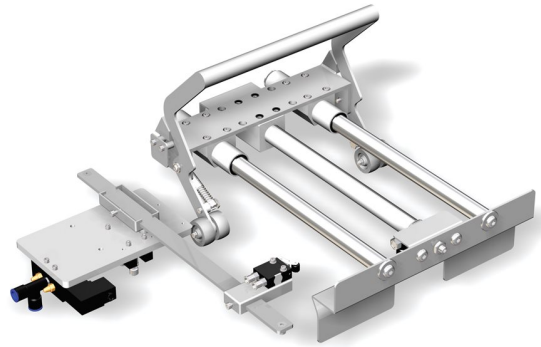
Used for right-angled transfer of items to, for instance, an adjacent conveyor.

The pusher is pneumatically driven and activated by a sensor.

Control system is required.

Type 45542.

Please contact our sales department for further information.



Pusher type CP

With fixed adjustable pusher bar.

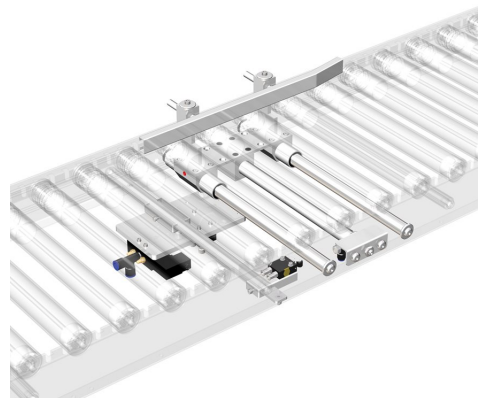
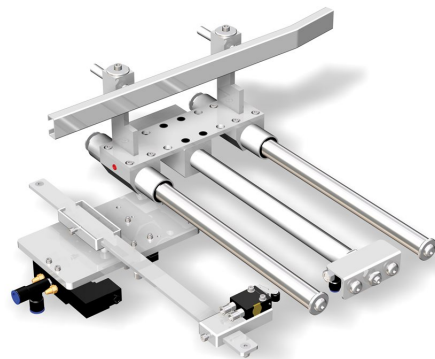
Used for right angle transfer of items to, for instance, an adjacent conveyor.

The pusher is pneumatically driven and activated by a sensor.

Control system is required.

Type 47243.

Please contact our sales department for further information.



Pusher type CP-F

With movable "fingers".

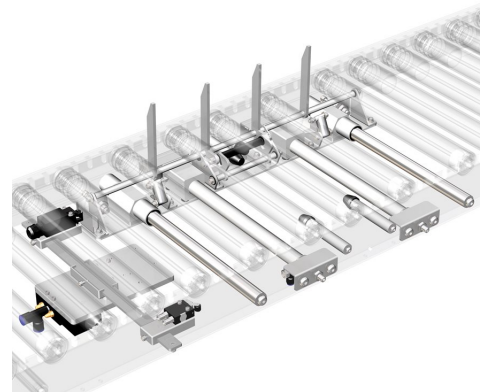
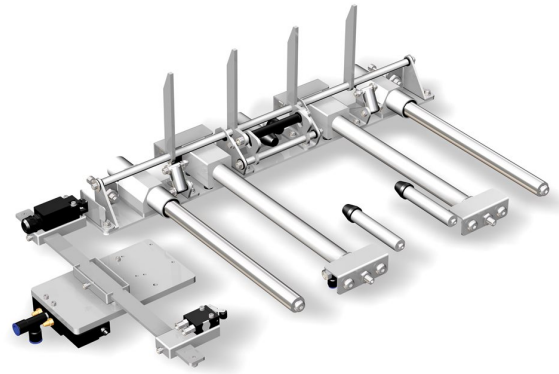
Used for right angle transfer of items to, for instance, an adjacent conveyor.

The side pusher is used for high capacity applications. The fingers return under the roller height level to enable quick forwarding of the succeeding item.

The pusher is pneumatically driven and activated by a sensor.

Type 47246.

Please contact our sales department for further information.
Control system is required.



Case turn unit

A simple solution for turning of cases.

Used on driven conveyors and belt conveyors.

Can be used for items with weights up to 10 kg.

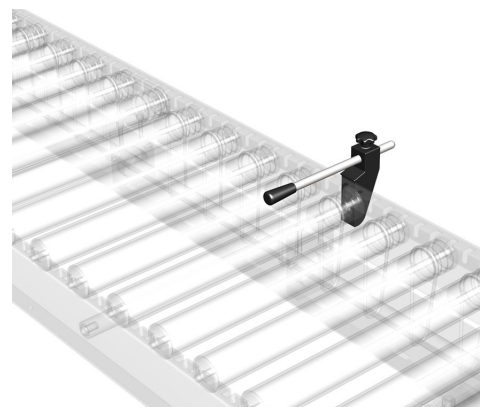
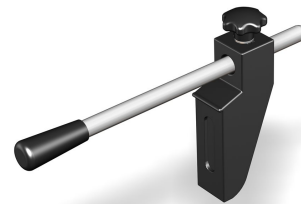
To ensure correct turning, it is recommended that a side guide is mounted before and after the case turn unit.

Item no.

Item no.

465440240

Subject to alteration.



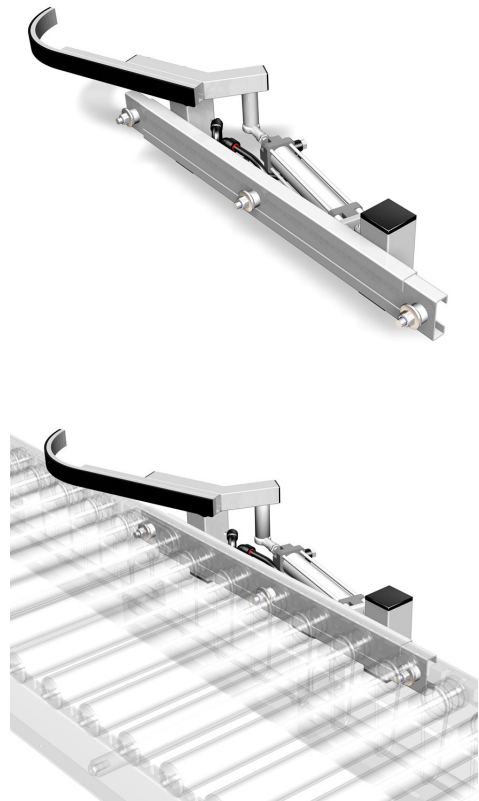
Pneumatic case turn unit

Used for 90° turning of cases.

Can be mounted on the side of the conveyor and requires that the cases are guided towards the case turn unit by side guides.

Usually part of an automatic system.

Please contact our sales department for further information.

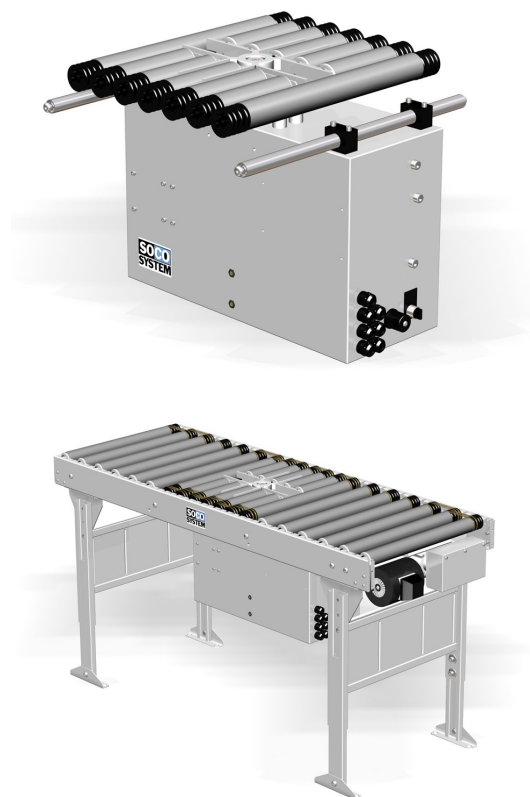


Product orientator TU

The product orientator is primarily used as part of a fully automatic palletising system where the cases are stacked in an interlocking pattern to ensure stability of the pallet load.

The standard orientator is fitted in a driven roller conveyor.

Please contact our sales department for further information.



Fittings for change of conveyor width

Type BR100

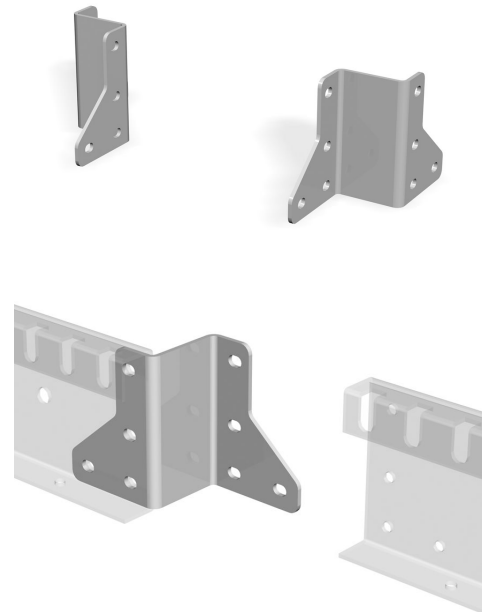
Coupling fittings for 100 mm reduction or increase of conveyor width.

Item no.

Item no.

453670110

Subject to alteration.



Type BRS100

Coupling fittings for 100 mm reduction or increase of conveyor width. With grooves for pop-up roller between conveyors.

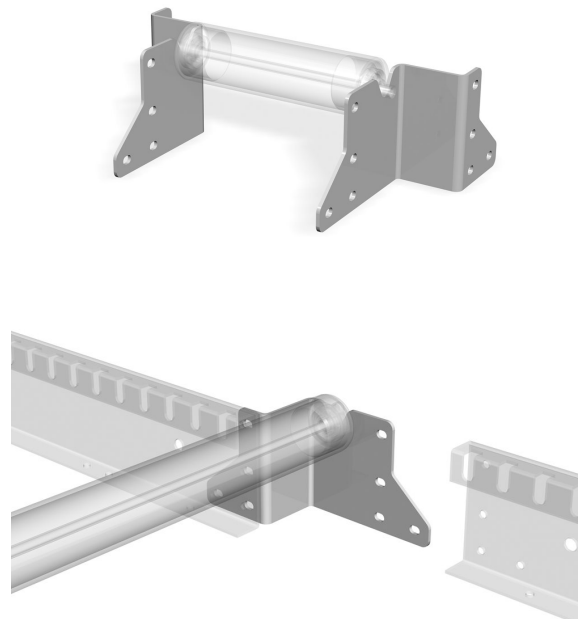
Item no.

Item no.

453670120

Subject to alteration.

Pop-up roller must be ordered separately.



Type BR200

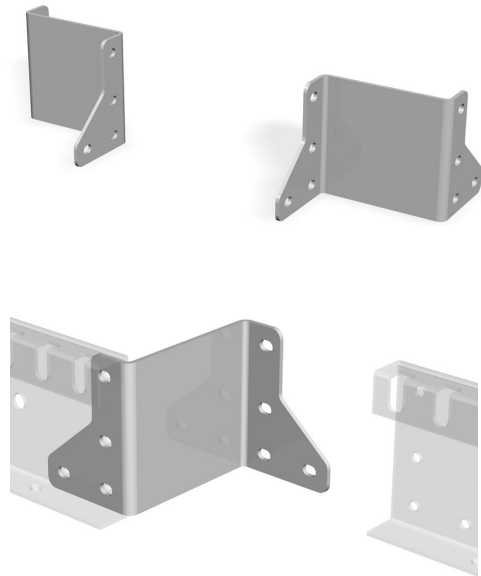
Coupling fittings for 200 mm reduction or increase of conveyor width.

Item no.

Item no.

453670210

Subject to alteration.



Type BRS200

Coupling fittings for 200 mm reduction or increase of conveyor width. With grooves for pop-up roller between conveyors.

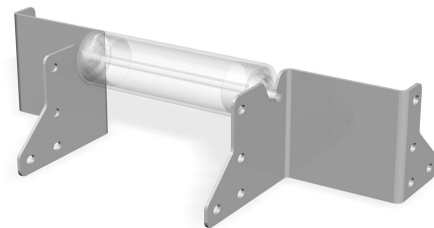
Pop-up roller must be ordered separately.

Item no.

Item no.

453670220

Subject to alteration.



Type BRV

Coupling fittings for 100 mm reduction of conveyor width.

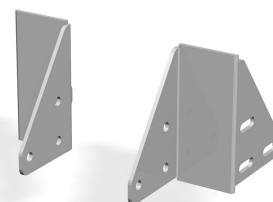
Only used for conveyors for weighing platforms.

Item no.

Item no.

453670010

Subject to alteration.



Check-weigh units

Check-weigh unit with non-driven roller conveyor

Used for weighing and subsequent manual control of weight.

The operator pushes the case onto the check-weigh unit and removes it after weighing.

Please contact our sales department for further information.



Check-weigh unit with driven roller conveyor

Used in automatic systems for weighing and subsequent control of weight.

The case is led to weighing position, is automatically stopped, weighed, and guided onwards.

Also available with pusher (special model) for automatic sorting to a conveyor placed at right angles to the check-weigh unit after weighing.

Control system is required.

Please contact our sales department for further information.

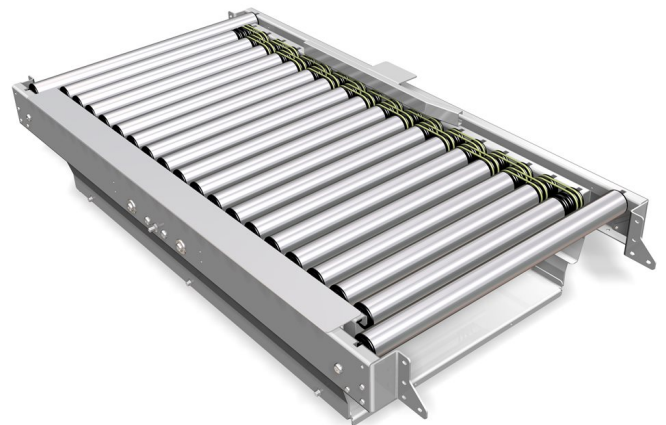


Table top

Laminated plastic

Loose table top for mounting in conveyor.

The laminated plastic plate is delivered with brackets for mounting in the conveyor.

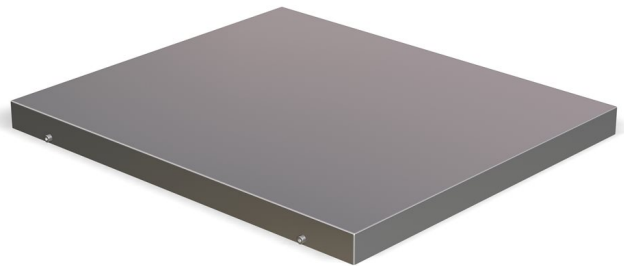


Item no.		
Width	Length	Item no.
500	600	450301560
All measurements are in mm. Subject to alteration.		

Stainless steel

Loose table top for mounting in conveyor.

The steel plate is delivered with brackets for mounting in the conveyor.



Item no.		
Width	Length	Item no.
500	600	450306560
All measurements are in mm. Subject to alteration.		

Pop-up rollers

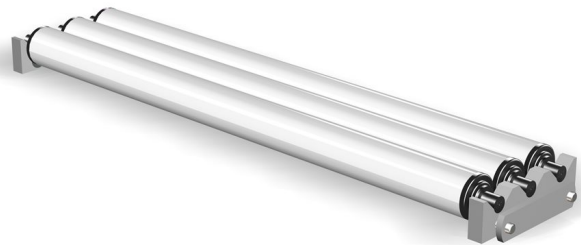
Ø 28 pop-up rollers

Used at the end of a roller conveyor connected to a fixed unit, e.g. an end plate or a belt conveyor.

The pop-up roller is mounted in fittings that are easily mounted on the inside of the frame.

Pop-up rollers are used to avoid the crushing hazard as the rollers automatically pop up if something gets stuck.

Delivered complete with fittings.



Item no.		
Width	Standard/ Item no.	With stainless steel tube/ Item no.
200	453540184	453543184

Width	Standard/ Item no.	With stainless steel tube/ Item no.
300	453540284	453543284
400	453540384	453543384
500	453540484	453543484
600	453540584	453543584

All measurements are in mm. Subject to alteration.

Ø 48 pop-up rollers

Used at the end of a roller conveyor connected to a fixed unit, e.g. an end plate or a belt conveyor.

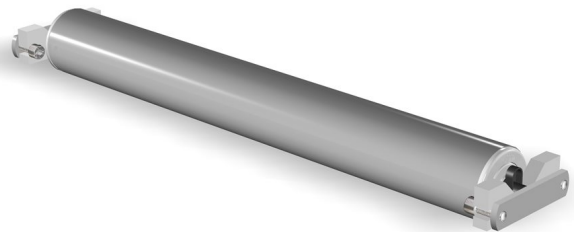
The pop-up roller is mounted in fittings that are easily mounted on the inside of the frame.

Pop-up rollers are used to avoid the crushing hazard as the rollers automatically pop up if something gets stuck.

Delivered complete with fittings.

Item no.	
Width	Item no.
200	453440184
300	453440284
400	453440384
500	453440484
600	453440584

All measurements are in mm. Subject to alteration.



Supports

Supports for wheel and roller conveyors

Used for SOCO SYSTEM roller and wheel conveyors for direct mounting on the frames.

Available in a number of standard heights and individually height-adjustable.

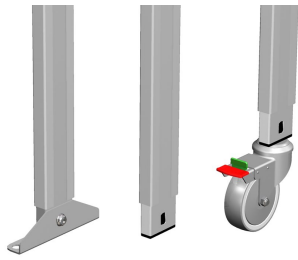
Three optional bottom parts are available:

1. for floor mounting.
2. for placing on floor.
3. with castors for quick movement.

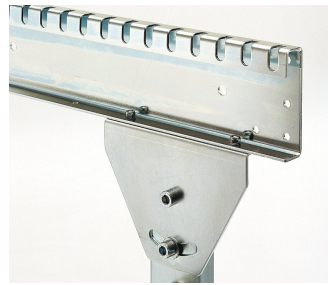


Item no.						
Width	Height code	Min. height	Max. height	For floor mounting/ Item no.	With plastic foot/ Item no.	With castors*/ Item no.
200	0	345	395	451003702	451003502	
	1	390	500	451003712	451003512	451003912
	2	490	700	451003722	451003522	451003922
	3	640	940	451003732	451003532	
	4	790	1090	451003742	451003542	451003942
	5	940	1240	451003752	451003552	
300	0	345	395	451003703	451003503	
	1	390	500	451003713	451003513	451003913
	2	490	700	451003723	451003523	451003923
	3	640	940	451003733	451003533	451003933
	4	790	1090	451003743	451003543	451003943
	5	940	1240	451003753	451003553	
400	0	345	395	451003704	451003504	451003904
	1	390	500	451003714	451003514	451003914
	2	490	700	451003724	451003524	451003924
	3	640	940	451003734	451003534	451003934
	4	790	1090	451003744	451003544	451003944
	5	940	1240	451003754	451003554	
500	0	345	395	451003705		451003905
	1	390	500	451003715	451003515	451003915
	2	490	700	451003725	451003525	451003925
	3	640	940	451003735	451003535	451003935
	4	790	1090	451003745	451003545	451003945
	5	940	1240	451003755	451003555	
600	0	345	395	451003706	451003506	
	1	390	500	451003716	451003516	451003916
	2	490	700	451003726	451003526	451003926
	3	640	940	451003736	451003536	451003936
	4	790	1090	451003746	451003546	451003946
	5	940	1240	451003756	451003556	

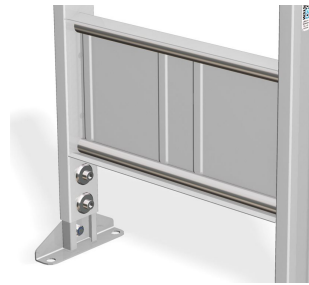
Subject to alteration. All measurements are in mm. * Braked castors increase the overall height by 140 mm.



Choose between foot part for floor mounting, plastic foot, or brake castors. The brake castor increases the height of the conveyor by 140 mm and is mounted directly on the support with a plastic foot.



Supports are easily and quickly mounted on roller conveyors as well as wheel conveyors.



Support with stiffening plate. Support with stiffening plate is used for driven conveyors when high transverse stability is required. This type (45101) is also recommended for curves and non-driven conveyors with heights exceeding 1200 mm. The plate is mounted on the spacing tubes without the use of tools.

Accessories

- ▶ Braked castors

Supports for fixed curves

Are used for SOCO SYSTEM fixed curves for mounting direct on the frames.

Available in a number of standard heights and individually height-adjustable.

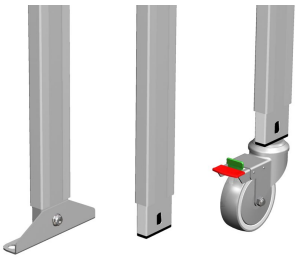
Three optional bottom parts are available:

1. for floor mounting.
2. for placing on floor.
3. with castors for quick movement.



Item no.						
Width	Height code	Min. height	Max. height	For floor mounting/ Item no.	With plastic base/ Item no.	With castors*/ Item no.
200	1	290	400	451007712	451007512	451007912
	2	390	600	451007722	451007522	451007922
	3	540	840	451007732	451007532	451007932
	4	690	990	451007742	451007542	451007942
	5	840	1140	451007752	451007552	
300	1	290	400	451007713	451007513	451007913
	2	390	600	451007723	451007523	451007923
	3	540	840	451007733	451007533	451007933
	4	690	990	451007743	451007543	451007943
	5	840	1140	451007753	451007553	
400	1	290	400	451007714	451007514	451007914
	2	390	600	451007724	451007524	451007924
	3	540	840	451007734	451007534	451007934
	4	690	990	451007744	451007544	451007944
	5	840	1140	451007754	451007554	
500	1	290	400	451007715	451007515	451007915
	2	390	600	451007725	451007525	451007925
	3	540	840	451007735	451007535	451007935
	4	690	990	451007745	451007545	451007945
	5	840	1140	451007755	451007555	
600	1	290	400	451007716	451007516	451007916
	2	390	600	451007726	451007526	451007926
	3	540	840	451007736	451007536	451007936
	4	690	990	451007746	451007546	451007946
	5	840	1140	451007756	451007556	

Type 451017 is recommended for heights exceeding 1200 mm. Subject to alteration. All measurements are in mm. * Braked castors increase the overall height by 140 mm.



Choose between foot part for floor mounting, plastic foot, or brake castors. The brake castor increases the height of the conveyor by 140 mm and is mounted directly on the support with a plastic foot.

Accessories

- ▶ Braked castors

Supports for belt conveyors and driven roller conveyors

Used for SOCO SYSTEM belt conveyors and driven roller conveyors for direct mounting on the frames.

Available in a number of standard heights and individually height-adjustable.

Three optional bottom parts are available:

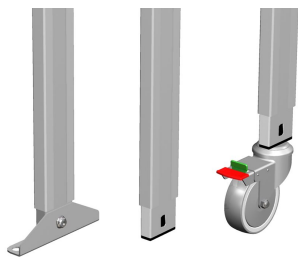
1. for floor mounting.
2. for placing on floor.
3. with castors for quick movement.



Item no.						
Width	Height code	Min. height	Max. height	For floor mounting/ Item no.	With plastic base/ Item no.	With castors*/ Item no.
200	0	345	395			
	1	390	500			
	2	490	700			
	3	640	940	451013732	451013532	451013932
	4	790	1090	451013742	451013542	451013942
	5	940	1240	451013752	451013552	451013952
	6	1190	1490	451013762	451013562	451013962
	7	1440	1740	451013772	451013572	451013972
	8	1690	2190	451013782	451013582	451013982
	9	2190	2690	451013792	451013592	451013992
300	0	345	395			
	1	390	500			
	2	490	700			
	3	640	940	451013733	451013533	451013933
	4	790	1090	451013743	451013543	451013943
	5	940	1240	451013753	451013553	451013953
	6	1190	1490	451013763	451013563	451013963
	7	1440	1740	451013773	451013573	451013973
	8	1690	2190	451013783	451013583	451013983
	9	2190	2690	451013793	451013593	451013993
400	0	345	395			
	1	390	500			
	2	490	700			
	3	640	940	451013734	451013534	451013934
	4	790	1090	451013744	451013544	451013944
	5	940	1240	451013754	451013554	451013954
	6	1190	1490	451013764	451013564	451013964
	7	1440	1740	451013774	451013574	451013974
	8	1690	2190	451013784	451013584	451013984
	9	2190	2690	451013794	451013594	451013994
500	0	345	395			
	1	390	500			
	2	490	700			
	3	640	940	451013735	451013535	451013935

Width	Height code	Min. height	Max. height	For floor mounting/ Item no.	With plastic base/ Item no.	With castors*/ Item no.
500	4	790	1090	451013745	451013545	451013945
	5	940	1240	451013755	451013555	451013955
	6	1190	1490	451013765	451013565	451013965
	7	1440	1740	451013775	451013575	451013975
	8	1690	2190	451013785	451013585	451013985
	9	2190	2690	451013795	451013595	451013995
600	0	345	395			
	1	390	500			
	2	490	700			
	3	640	940	451013736	451013536	451013936
	4	790	1090	451013746	451013546	451013946
	5	940	1240	451013756	451013556	451013956
	6	1190	1490	451013766	451013566	451013966
	7	1440	1740	451013776	451013576	451013976
	8	1690	2190	451013786	451013586	451013986
9	2190	2690	451013796	451013596	451013996	

Subject to alteration. All measurements are in mm. * Braked castors increase the overall height by 140 mm.



Choose between foot part for floor mounting, plastic foot, or brake castors. The brake castor increases the height of the conveyor by 140 mm and is mounted directly on the support with a plastic foot.

Accessories

- Braked castors

Supports for driven curves

Used for SOCO SYSTEM driven curves for direct mounting on the frames.

Available in a number of standard heights and individually height-adjustable.

Three optional bottom parts are available:

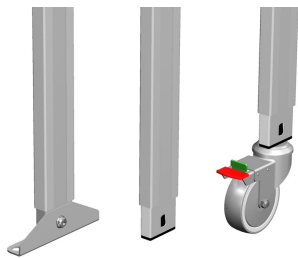
1. for floor mounting.
2. for placing on floor.
3. with castors for quick movement.



Item no.						
Width	Height	H.min.	H.max.	For floor mounting/ Item no.	With plastic base/ Item no.	With castors*/ Item no.
200	1	290	400			
	2	390	600			
	3	540	840	451017732	451017532	451017932
	4	690	990	451017742	451017542	451017942
	5	840	1140	451017752	451017552	451017952
	6	1090	1390	451017762	451017562	451017962
	7	1340	1640	451017772	451017572	451017972
	8	1590	2090	451017782	451017582	451017982
	9	2090	2590	451017792	451017592	451017992
300	1	290	400			
	2	390	600			
	3	540	840	451017733	451017533	451017933
	4	690	990	451017743	451017543	451017943
	5	840	1140	451017753	451017553	451017953
	6	1090	1390	451017763	451017563	451017963
	7	1340	1640	451017773	451017573	451017973
	8	1590	2090	451017783	451017583	451017983
	9	2090	2590	451017793	451017593	451017993
400	1	290	400			
	2	390	600			
	3	540	840	451017734	451017534	451017934
	4	690	990	451017744	451017544	451017944
	5	840	1140	451017754	451017554	451017954
	6	1090	1390	451017764	451017564	451017964
	7	1340	1640	451017774	451017574	451017974
	8	1590	2090	451017784	451017584	451017984
	9	2090	2590	451017794	451017594	451017994
500	1	290	400			
	2	390	600			
	3	540	840	451017735	451017535	451017935
	4	690	990	451017745	451017545	451017945
	5	840	1140	451017755	451017555	451017955
	6	1090	1390	451017765	451017565	451017965
	7	1340	1640	451017775	451017575	451017975

Width	Height	H.min.	H.max.	For floor mounting/ Item no.	With plastic base/ Item no.	With castors*/ Item no.
500	8	1590	2090	451017785	451017585	451017985
	9	2090	2590	451017795	451017595	451017995
600	1	290	400			
	2	390	600			
	3	540	840	451017736	451017536	451017936
	4	690	990	451017746	451017546	451017946
	5	840	1140	451017756	451017556	451017956
	6	1090	1390	451017766	451017566	451017966
	7	1340	1640	451017776	451017576	451017976
	8	1590	2090	451017786	451017586	451017986
	9	2090	2590	451017796	451017596	451017996

Subject to alteration. All measures are in mm. * Braked castors increase the overall height by 140 mm.



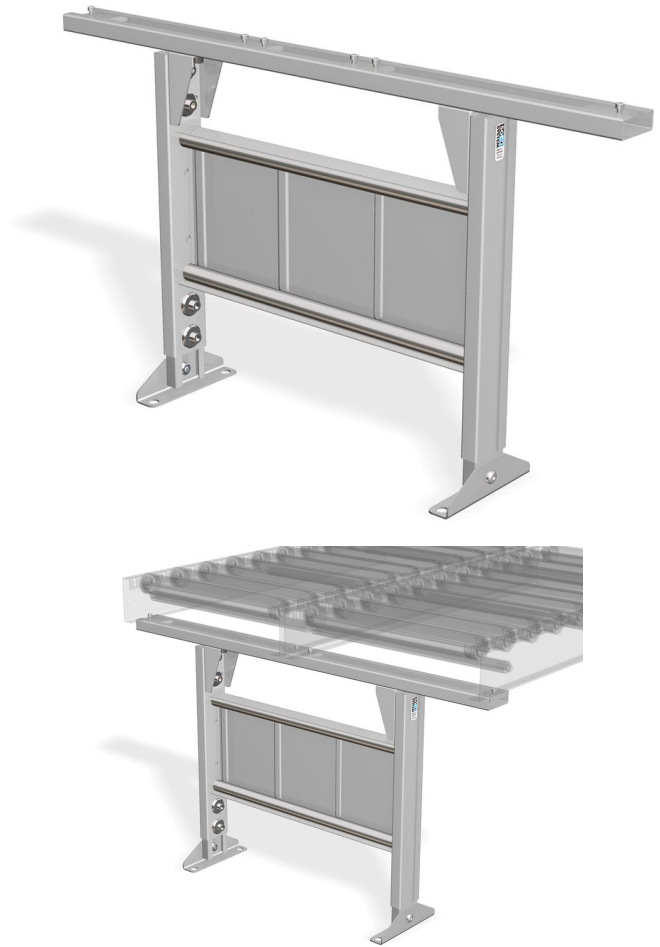
Choose between foot part for floor mounting, plastic foot, or brake castors. The brake castor increases the height of the conveyor by 140 mm and is mounted directly on the support with a plastic foot.

Accessories

- ▶ Braked castors

Supports for duplex conveyors

Used for duplex conveyors with no spacing between 2 conveyors.



Item no.				
Width	Height	Min. height	Max. height	Perm. floor mounting/ item no.
200	2	490	700	451050222
	3	640	940	451050232
	5	940	1240	451050252
300	2	490	700	451050223
	3	640	940	451050233
	5	940	1240	451050253
400	2	490	700	451050224
	3	640	940	451050234
	5	940	1240	451050254
500	2	490	700	451050225
	3	640	940	451050235
	5	940	1240	451050255
600	2	490	700	451050226
	3	640	940	451050236
	5	940	1240	451050256

All measurements are in mm. Subject to alteration.

Supports for triplex conveyors

Used for triplex conveyors with no spacing between 3 conveyors.



Item no.				
Width	Size	Min. height	Max. height	Perm. floor mounting/ Item No.
200	2	490	700	451050322
	3	640	940	451050332
	5	940	1240	451050352
300	2	490	700	451050323
	3	640	940	451050333
	5	940	1240	451050353
400	2	490	700	451050324
	3	640	940	451050334
	5	940	1240	451050354
500	2	490	700	451050325
	3	640	940	451050335
	5	940	1240	451050355
600	2	490	700	451050326
	3	640	940	451050336
	5	940	1240	451050356

All measurements are in mm. Subject to alteration.

Supports for "First in - First out" 2 conveyors

Are used where 2 conveyors are placed above each other.

On ordering, the distance between the roller conveyors should be taken into account.



Item no.				
Width	Length	Non-driven roller conveyor/ Item no.	Driven roller conveyor/ Item no.	Fixed curves/ Item no.
200	500	475993202	475994202	475997202
	650	475993212	475994212	475997212
	800	475993222	475994222	475997222
	1000	475993232	475994232	475997232
	1250	475993242	475994242	475997242
	1500	475993252	475994252	475997252
	1750	475993262	475994262	475997262
	2000	475993272	475994272	475997272
	2250	475993282	475994282	475997282
	2500	475993292	475994292	475997292
300	500	475993203	475994203	475997203
	650	475993213	475994213	475997213
	800	475993223	475994223	475997223
	1000	475993233	475994233	475997233
	1250	475993243	475994243	475997243
	1500	475993253	475994253	475997253
	1750	475993263	475994263	475997263
	2000	475993273		475997273
	2250	475993283	475994283	475997283
	2500	475993293	475994293	475997293
400	500	475993204	475994204	475997204

Width	Length	Non-driven roller conveyer/ Item no.	Driven roller conveyer/ Item no.	Fixed curves/ Item no.
400	650	475993214	475994214	475997214
	800	475993224	475994224	475997224
	1000	475993234	475994234	475997234
	1250	475993244	475994244	475997244
	1500	475993254	475994254	475997254
	1750	475993264	475994264	475997264
	2000	475993274	475994274	475997274
	2250	475993284	475994284	475997284
	2500	475993294	475994294	475997294
	500	500	475993205	475994205
650		475993215	475994215	475997215
800		475993225	475994225	475997225
1000		475993235	475994235	475997235
1250		475993245	475994245	475997245
1500		475993255	475994255	475997255
1750		475993265	475994265	475997265
2000		475993275	475994275	475997275
2250		475993285	475994285	475997285
2500		475993295	475994295	475997295
600	500	475993206	475994206	475997206
	650	475993216	475994216	475997216
	800	475993226	475994226	475997226
	1000	475993236	475994236	475997236
	1250	475993246	475994246	475997246
	1500	475993256	475994256	475997256
	1750	475993266	475994266	475997266
	2000	475993276	475994276	475997276
	2250	475993286	475994286	475997286
	2500	475993296	475994296	475997296

All measurements are in mm. Subject to alteration.

Supports for "First in - First out" 3 conveyors

Used where 3 conveyors are placed above each other.

On ordering, the distance between the roller conveyors should be taken into account.



Item no.				
Width	Length	Non-driven roller conveyor/ Item no	Driven roller conveyor/ Item no.	Fixed curves/ Item no.
200	500	475993302		
	650	475993312		475997312
	800	475993322		475997322
	1000	475993332		475997332
	1250	475993342		475997342
	1500	475993352		475997352
	1750	475993362		475997362
	2000	475993372		475997372
	2250	475993382		475997382
	2500	475993392		475997392
300	500	475993303		
	650	475993313		475997313
	800	475993323	475994323	475997323
	1000	475993333	475994333	475997333
	1250	475993343	475994343	475997343
	1500	475993353	475994353	475997353
	1750	475993363	475994363	475997363
	2000	475993373	475994373	475997373
	2250	475993383	475994383	475997383
	2500	475993393	475994393	475997393
400	500	475993304		

Width	Length	Non-driven roller conveyer/ Item no	Driven roller conveyer/ Item no.	Fixed curves/ Item no.
400	650	475993314		475997314
	800	475993324	475994324	475997324
	1000	475993334	475994334	475997334
	1250	475993344	475994344	475997344
	1500	475993354	475994354	475997354
	1750	475993364	475994364	475997364
	2000	475993374	475994374	475997374
	2250	475993384	475994384	475997384
	2500	475993394	475994394	475997394
	500	500	475993305	
650		475993315		475997315
800		475993325	475994325	475997325
1000		475993335	475994335	475997335
1250		475993345	475994345	475997345
1500		475993355	475994355	475997355
1750		475993365	475994365	475997365
2000		475993375	475994375	475997375
2250		475993385	475994385	475997385
2500		475993395	475994395	475997395
600	500	475993306		
	650	475993316		475997316
	800	475993326	475994326	475997326
	1000	475993336	475994336	475997336
	1250	475993346	475994346	475997346
	1500	475993356	475994356	475997356
	1750	475993366	475994366	475997366
	2000	475993376	475994376	475997376
	2250	475993386	475994386	475997386
	2500	475993396	475994396	475997396

n/a.: not available. All measurements are in mm. Subject to alteration.

Ceiling suspension

Used for suspension of non-driven conveyors mounted in the ceiling.



Item no.							
Width	C outer L	C inner L	Size	Min. height	Max. height	Item no.	
300	300	350	2	200	400	480943023	
	450	500	3	350	700	480943033	
	600	650	4	500	1000	480943043	
	750	800	5	650	1300	480943053	
	1000	1000	6	900	1750	480943063	
	1250	1250	7	1150	2250	480943073	
	1500	1500	8	1400	2750	480943083	
	2000	2000	9	1900	3750	480943093	
400	300	350	2	200	400	480943024	
	450	500	3	350	700	480943034	
	600	650	4	500	1000	480943044	
	750	800	5	650	1300	480943054	
	1000	1000	6	900	1750	480943064	
	1250	1250	7	1150	2250	480943074	
	1500	1500	8	1400	2750	480943084	
	2000	2000	9	1900	3750	480943094	
500	300	350	2	200	400	480943025	
	450	500	3	350	700	480943035	
	600	650	4	500	1000	480943045	
	750	800	5	650	1300	480943055	
	1000	1000	6	900	1750	480943065	

Width	C outer L	C inner L	Size	Min. height	Max. height	Item no.
500	1250	1250	7	1150	2250	480943075
	1500	1500	8	1400	2750	480943085
	2000	2000	9	1900	3750	480943095
600	300	350	2	200	400	480943026
	450	500	3	350	700	480943036
	600	650	4	500	1000	480943046
	750	800	5	650	1300	480943056
	1000	1000	6	900	1750	480943066
	1250	1250	7	1150	2250	480943076
	1500	1500	8	1400	2750	480943086
	2000	2000	9	1900	3750	480943096

All measurements are in mm. Subject to alteration.

Wall suspension

Used for mounting of conveyors on the wall. Frees up floor space.

Height and width adjustment of the wall suspension and adjustment of the degree of inclination of up to 30° are possible.

Item no.		
Width	Distance to wall	Electro-galvanised steel/ Item no.
300	450	451100330
	550	451100340
	650	451100350
400	450	451100430
	550	451100440
	650	451100450
500	450	451100530
	550	451100540
	650	451100550
600	450	451100630
	550	451100640
	650	451100650

Subject to alteration. All measurements are in mm.



Here the conveyor system threads its way under the ceiling through several storage buildings to the end station where the products are palletised. Supports for floor, ceiling-, and wall mounting are used for this installation.

Tiltable support

Used in connection with packing of tall items or goods with a tendency to tilt.

When the case has been packed, the conveyor is tilted to horizontal position, and the case can, for instance, be guided into a case sealer.

Item no.	
Width	Item no.
200	451080200
300	451080300
400	451080400
500	451080500
600	451080600

All measurements are in mm. Subject to alteration.



22° support

Provides a fixed inclination of the conveyor and is suited for packing of tall items.

Often used in connection with SOCO SYSTEM side sealer.



Item no.			
Width	Min. height	Max. height	Perm. floor mounting/ item no.
300	475	680	451020713
	575	880	451020723
	675	1080	451020733
	775	1280	451020743
400	475	680	451020714
	575	880	451020724
	675	1080	451020734
	775	1280	451020744
500	475	680	451020715
	575	880	451020725
	675	1080	451020735
	775	1280	451020745
600	475	680	451020716
	575	880	451020726
	675	1080	451020736
	775	1280	451020746

All measurements are in mm. Subject to alteration.

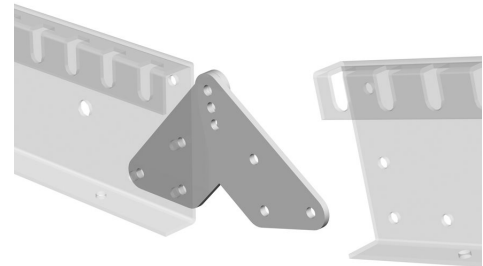
Swivel couplings

Type A

Used for angular positioning of booster arrangement.

Delivered complete with screws for mounting.

Item no.
Item no.
453160010
Subject to alteration.

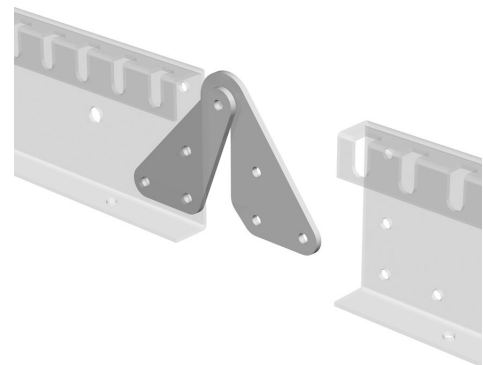


Type AH

Used in connection with unhooking/repositioning of conveyor.

Delivered complete with screws for mounting.

Item no.
Item no.
453140010
Subject to alteration.

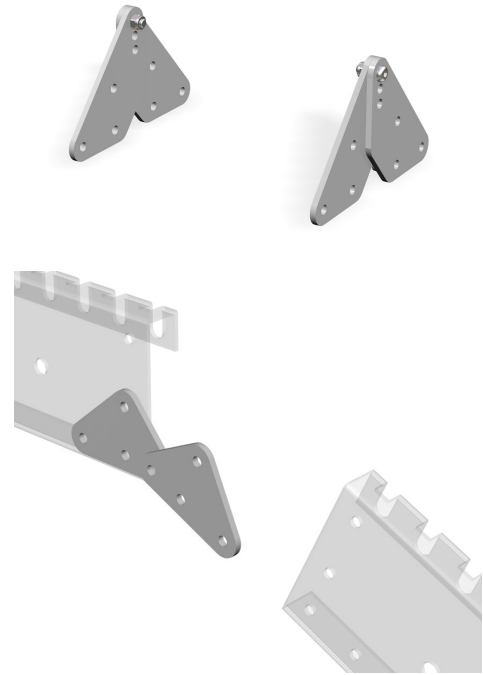


Type C

Used for angular positioning of conveyors.

Delivered complete with screws for mounting.

Item no.
Item no.
453170010
Subject to alteration.

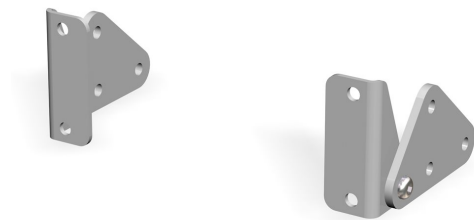


Type FC

Used for coupling of flexi curves onto roller conveyors and belt conveyors.

Delivered complete with screws for mounting.

Item no.
Item no.
453480010
Subject to alteration.

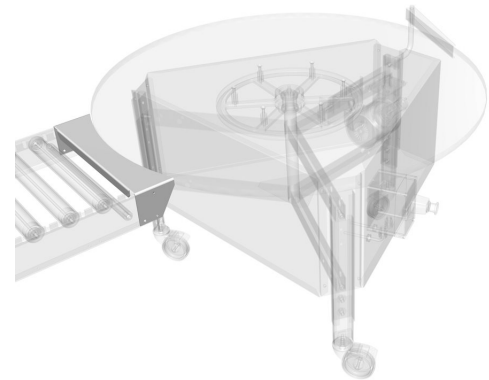
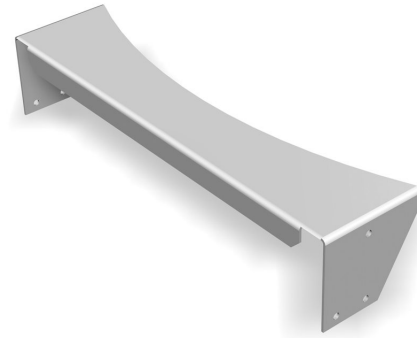


Various accessories

Bridging piece for rotary table

Used at transition between roller conveyor or belt conveyor and rotary table to prevent items from getting stuck.

The bridging piece is made of stainless steel.



Item no.	
Width	Item no.
200	450260200
300	450260300
400	450260400
500	450260500
600	450260600

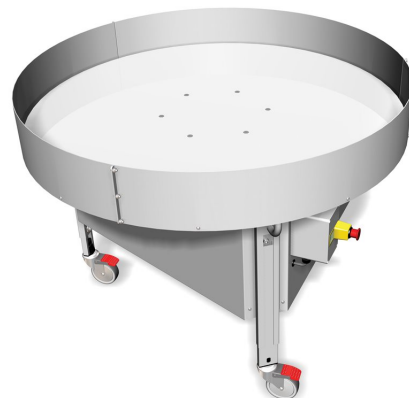
All measurements are in mm. Subject to alteration.

Guide edge for rotary table

Used to ensure that all items stay on the rotary table.

Standard height 178 mm.

Item no.
202651200
Subject to alteration.



Braked castors

SOCO SYSTEM machines and supports are prepared for the mounting of braked castors.

The braked castors are of a sturdy construction and equipped with efficient brakes that lock in the direction of travel and rotation.

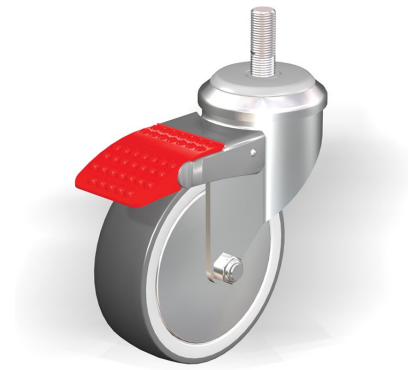
Braked castors increase the overall height by 140 mm.

Item no.

Item no.

6005000329

Subject to alteration.



Brake plates

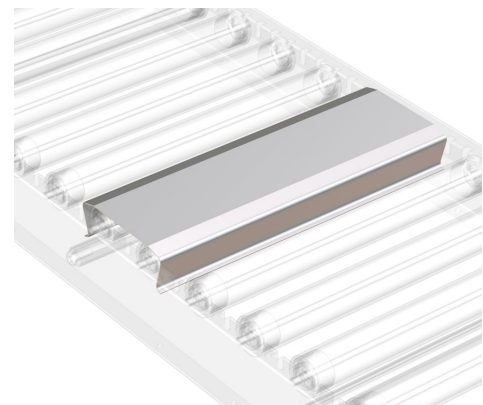
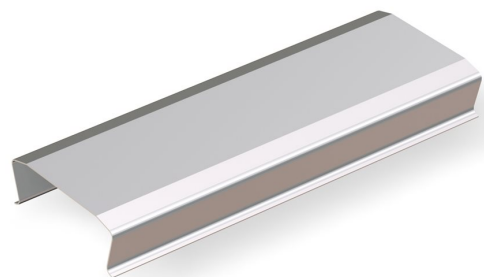
The brake plate is used on non-driven conveyors to brake the item.

The stainless steel plate is snapped over two rollers to achieve an immediate braking effect.

Item no.

Width	Item no.
200	312160200
300	312160300
400	312160400
500	312160500
600	312160600

All measurements are in mm. Subject to alteration.



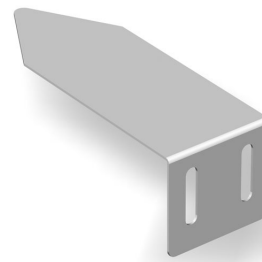
Case holder

Leaves operator's hands free for filling the case.

Mounted at the inlet end of the roller conveyor used as packaging table.

The flaps of the case are led under the plate so that the case is fixed during filling.

Delivered complete with end cover and screws.

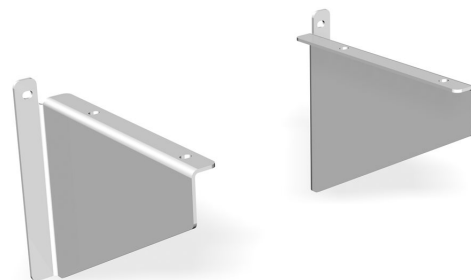


Item no.	
Width	Item no.
200	450220200
300	450220300
400	450220400
500	450220500
600	450220600

All measurements are in mm. Subject to alteration.

Console for case sealers

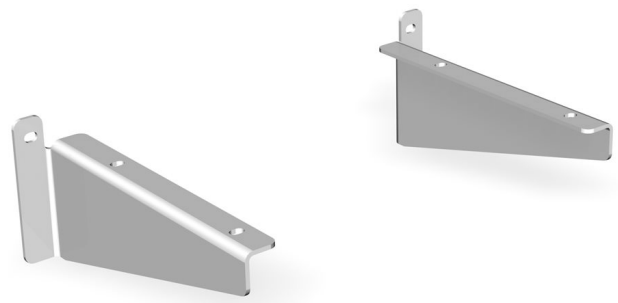
Used for mounting on SOCO SYSTEM case sealers when an end table or a 0.5 m non-driven roller conveyor is required as outlet for the machine.



Console for new generation of case sealers

Used for mounting on SOCO SYSTEM's new carton sealers (T-2000, T-2002, T-4000 og T-4002) when an end table or a 0.5 m non-driven roller conveyor is required as outlet for the machine.

Item no.
Item no.
310820002
Subject to alteration.



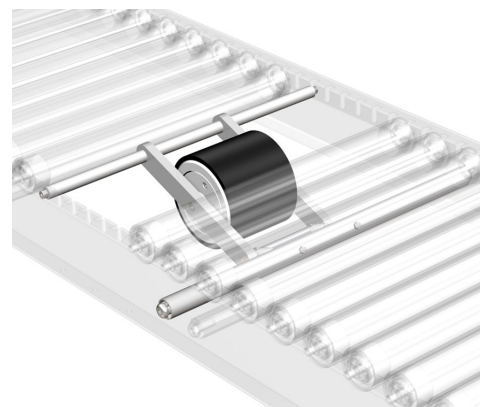
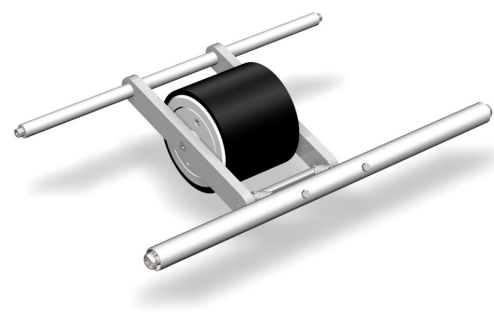
Brake rollers

Brake roller type 1

Used for mounting in non-driven roller conveyors with an incline.

Brake roller type 1 is mounted on a level with the top of the roller conveyor. The braking effect is made directly on the item.

Please contact our sales department for further information.

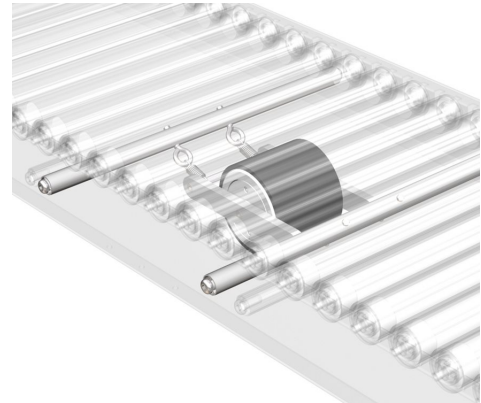
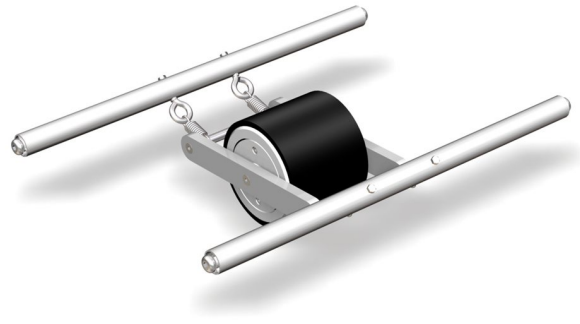


Brake roller type 2

Used for mounting in non-driven roller conveyors with an incline.

Brake roller type 2 is mounted under the rollers and works indirectly.

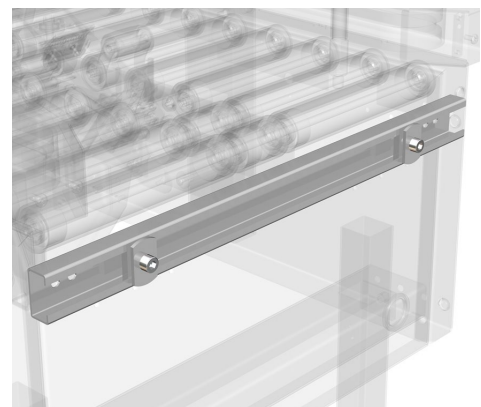
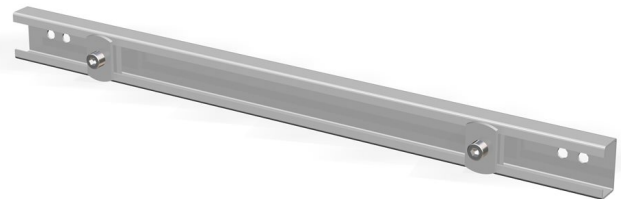
Please contact our sales department for further information.



Machine couplings

C-profile

C-profiles are used for coupling of machines and roller conveyors.

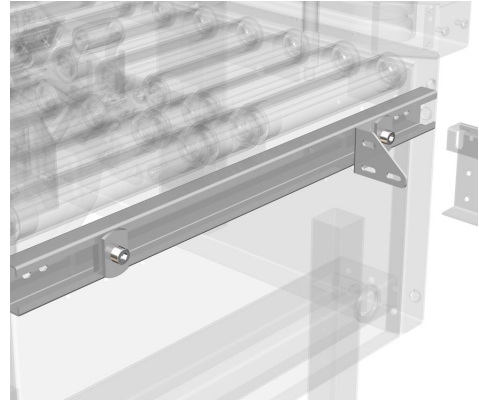
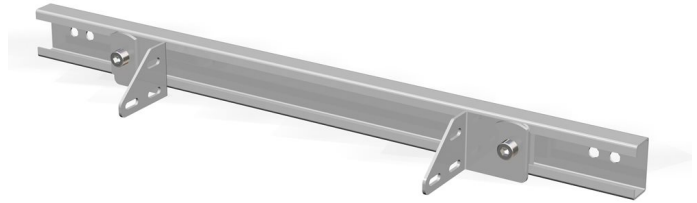


Item no.	
Width	Item no.
Standard (W = 655)	460225010
Wide (W = 865)	460227010
All measurements are in mm. Subject to alteration.	

Type MB + C-profile

Used for coupling of machines and roller conveyors.

Delivered complete with screws for mounting.



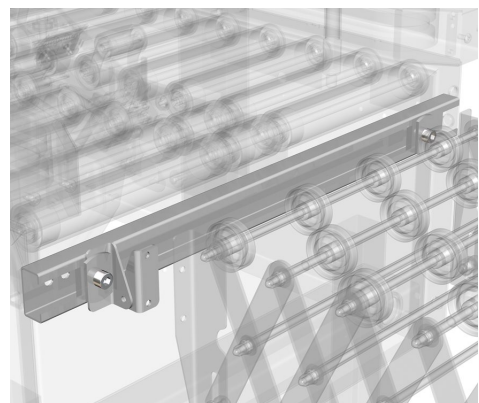
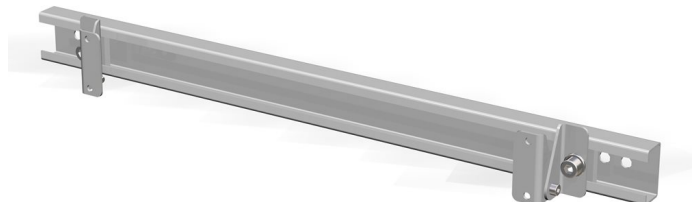
Item no.		
Width	Incl. C-profile/ Item no.	Excl. C-profile/ Item no.
Standard (W = 655)	453500510	453500010
Wide (W = 865)	453500710	453500010

All measurements are in mm. Subject to alteration.

Type FM + C-profile

Used for coupling of flexi conveyors and curves onto machines.

Delivered complete with screws for mounting.



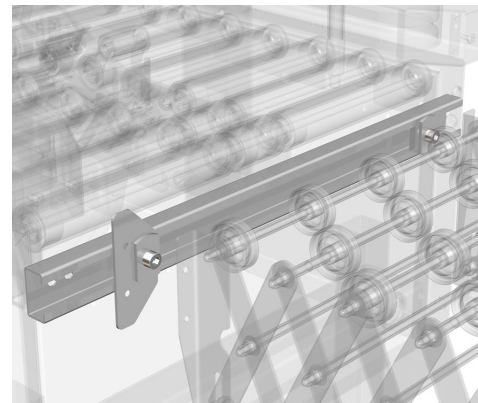
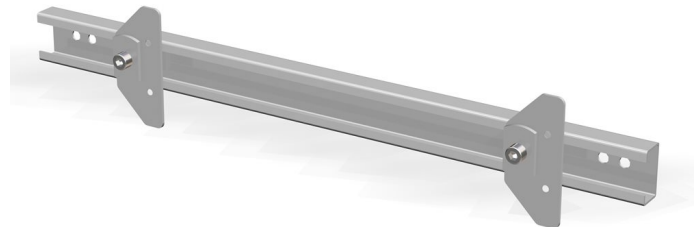
Item no.		
Width	Incl. C-profile/ Item no.	Excl. C-profile/ Item no.
Standard (W = 655)	453460510	453460010
Wide (W = 865)	453460710	453460010

All measurements are in mm. Subject to alteration.

Type FF + C-profile

Used for fixed coupling of flexi conveyor onto machines.

Delivered complete with screws for mounting.



Item no.		
Width	Incl. C-profile/ Item no.	Excl. C-profile/ Item no.
Standard (W = 655)	453470510	453470010
Wide (W = 865)	453470710	453470010

All measurements are in mm. Subject to alteration.

Angle couplings

Type CF

Used for coupling of curves, flexi conveyors, switch tracks, etc. onto roller conveyors and as cover for frame ends.

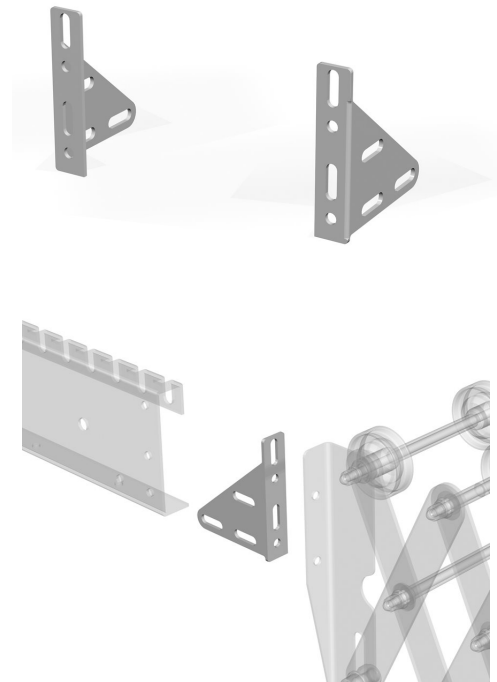
Delivered complete with screws for mounting.

Item no.

Item no.

453390010

Subject to alteration.



Type MC

Used for coupling of roller conveyors directly onto machines.

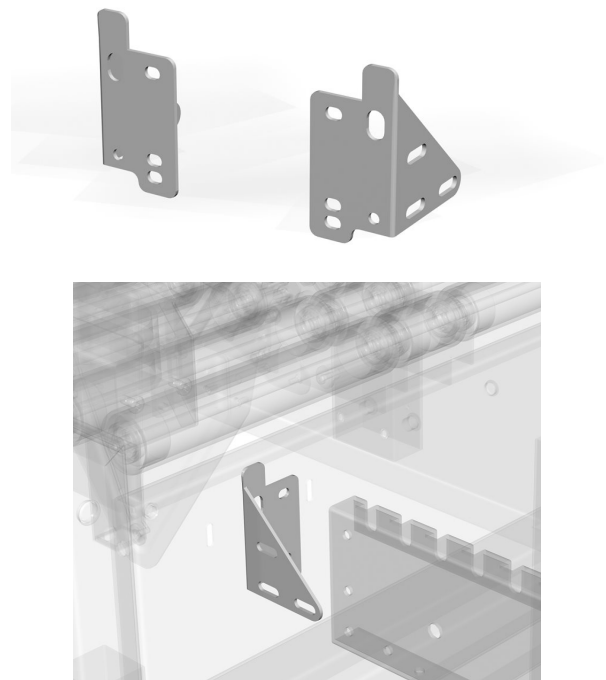
Delivered complete with screws for mounting.

Item no.

Item no.

453490010

Subject to alteration.

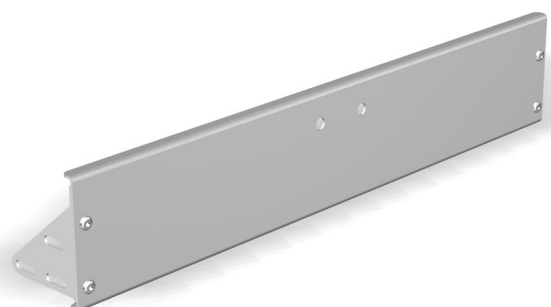


End covers

End cover for roller conveyor

Mounted at the end of a roller conveyor to provide the system with a neat finish.

Delivered complete with fittings and screws.

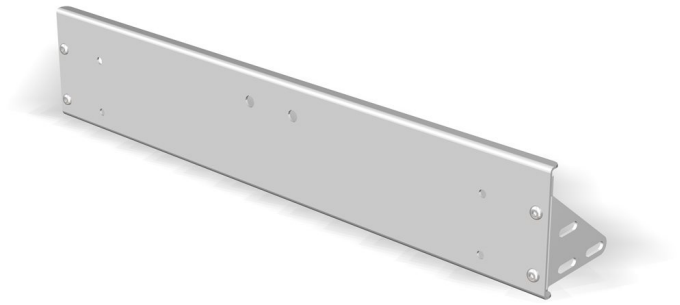


Item no.	
Width	Item no.
200	450220201
300	450220301
400	450220401
500	450220501
600	450220601

Available in stainless steel. All measurements are in mm. Subject to alteration.

End cover for flexi conveyor

Mounted at the end of a flexi conveyor.



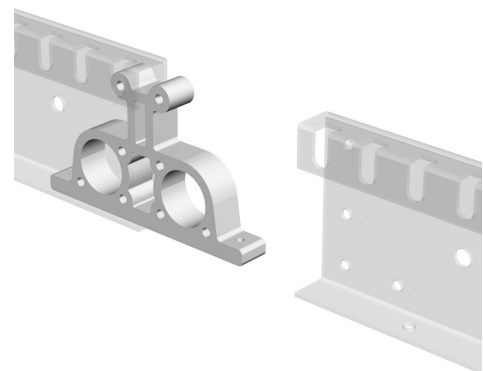
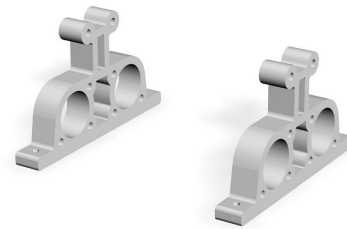
Frame couplings

Type DH

Used for coupling of belt conveyors.

Delivered complete with screws for mounting.

Item no.
Item no.
453260110
Subject to alteration.

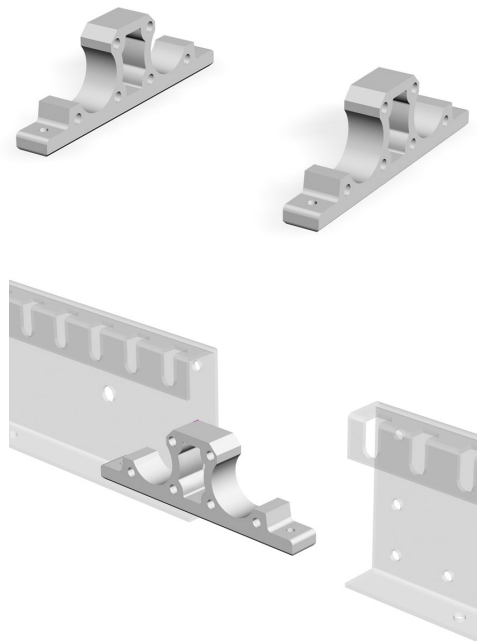


Type DL

Used for coupling of roller conveyors and tightening section onto belt conveyors.

Delivered complete with screws for mounting.

Item no.
Item no.
453270110
Subject to alteration.



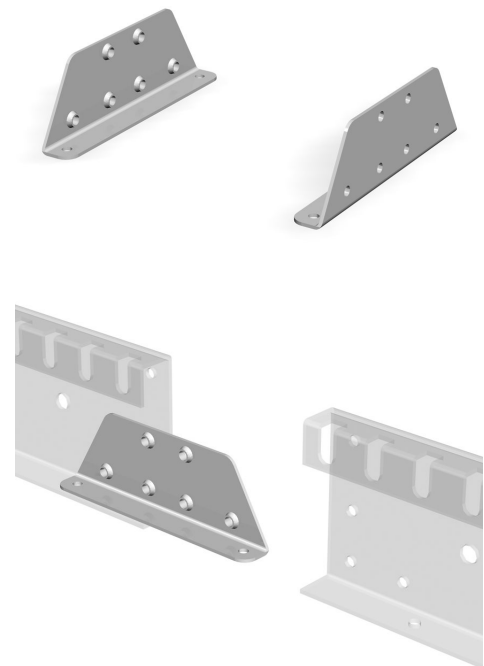
Type VL

Used for coupling of roller conveyors onto drive section of belt conveyors.

Can also be used for mounting of supports.

Delivered complete with screws for mounting.

Item no.
Item no.
453110010
Subject to alteration.



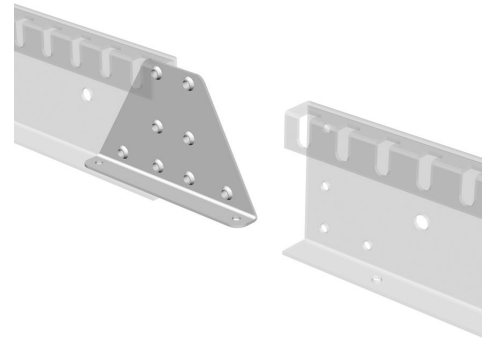
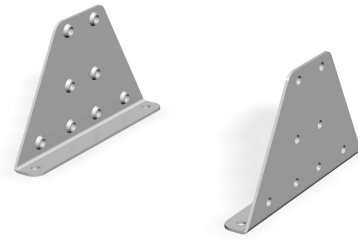
Type VH

Used for coupling of roller conveyors.

Can also be used for mounting of supports.

Delivered complete with screws for mounting.

Item no.
Item no.
453120010
Subject to alteration.



Side guides

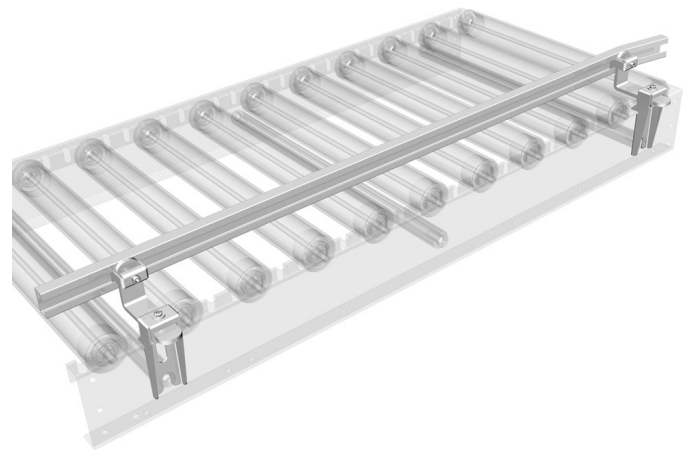
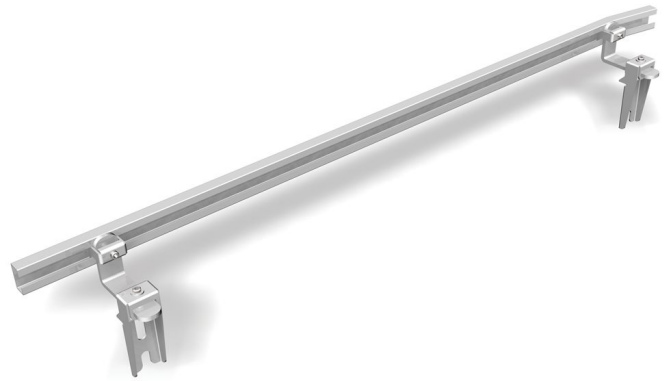
Side guides

Adjustable side guides bent at the inlet end.

Used for guiding of cases on roller conveyors and belt conveyors with smooth belts.

Available in lengths up to 2 m and delivered complete with fittings that can be mounted on either side of the conveyors and belt conveyors.

Please contact our sales department for further information.

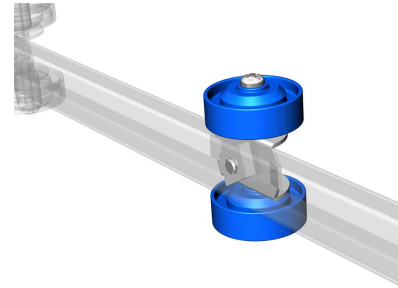
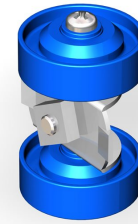


Accessories

- ▶ Wheel consoles for side guides type A
- ▶ Wheel consoles for side guides type B

Wheel consoles for side guides type A

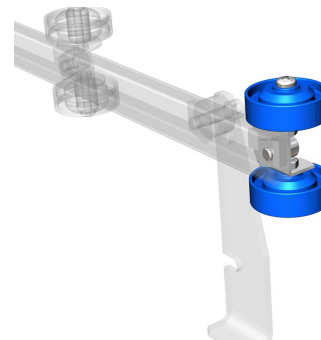
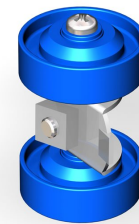
Used for reduction of friction, e.g. in connection with transportation of heavy items.



Wheel consoles for side guides type B

This type is used at the end of the side guide.

Is used for reduction of friction, e.g. in connection with transport of heavy items.



This type is used at the end of the side guide.

Low side guide

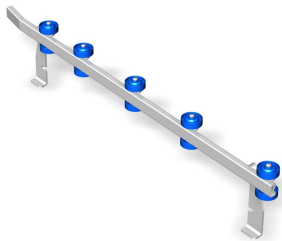
Used for guiding of cases immediately above roller height.

Please contact our sales department for further information.



Item no.		
Length	Exclusive wheel consoles/ Item no.	Inclusive 5 wheel consoles/ Item no.
960	451420096	451421096
1500	451420150	451421150
1980	451420198	451421198
2450	451420246	451421246
2940	451420294	451421294

All measurements are in mm. Subject to alteration.



Wheel consoles used where friction need to be reduced e.g. for transportation of heavy items.

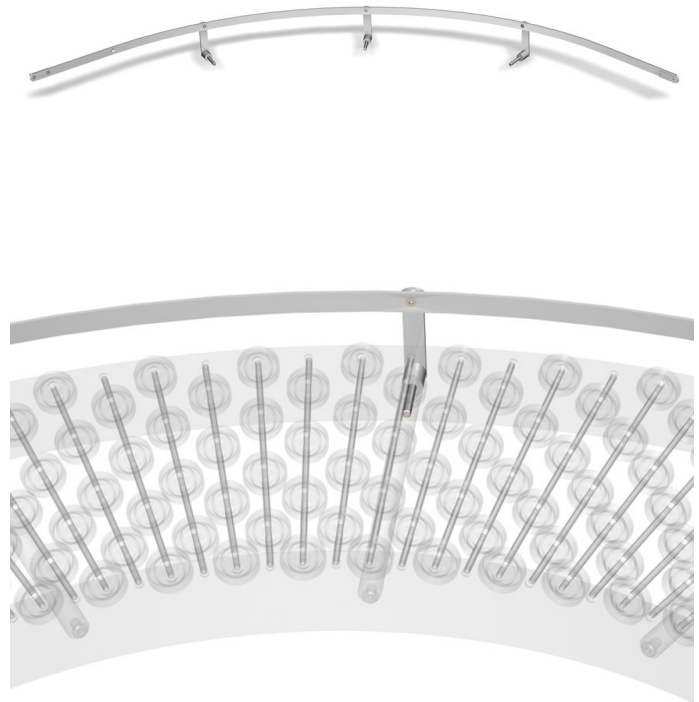
Accessories

- ▶ Wheel consoles for side guides type A
- ▶ Wheel consoles for side guides type B

Side guides for 90° non-driven curves

Used for guiding of cases through non-driven curves.

Please contact our sales department for further information.



Hook couplings

Type X

Used for side coupling of conveyors.

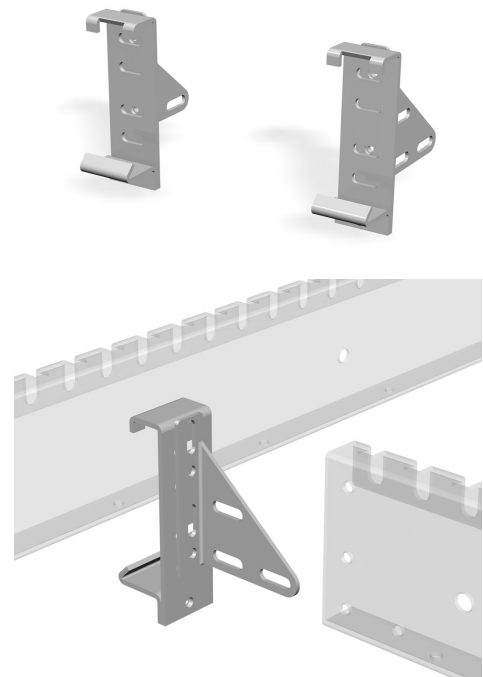
Delivered complete with screws for mounting.

Item no.

Item no.

453510010

Subject to alteration.



2		
22° support	106	
A		
Adjustable end stop type BJ	61	
Adjustable end stop with photocell type BJF	61	
Asymmetrical ball table for large items	74	
Automatic bottom flap folder - F-100-P	43	
B		
Belt conveyors with booster	28	
Belt conveyors with plate bedding	25	
Belt conveyors with roller bedding	22	
Belt conveyors with submounted tension section	37	
Belt conveyors with triplex angles	36	
Bobby	77	
Boomerang system	49	
Brake plates	110	
Brake roller type 1	112	
Brake roller type 2	113	
Braked castors	110	
Bridging piece for rotary table	109	
C		
Case holder	111	
Case turn unit	81	
Ceiling suspension	102	
Centring device	76	
Check-weigh unit with driven roller conveyor	85	
Check-weigh unit with non-driven roller conveyor	85	
Combi plate	60	
Console for case sealers	111	
Console for new generation of case sealers	112	
Controller type 1	38	
Controller type 2	39	
Coupled section for driven roller conveyors	19	
C-profile	113	
Curves with conical rollers 90°	21	
D		
Decentring unit type DC	76	
Double distributor unit type FU	77	
Drive section for driven roller conveyors	17	
Driven transverse conveyor	79	
E		
Emergency stop button	65	
End cover for flexi conveyor	118	
End cover for roller conveyor	116	
End stop	60	
F		
Fixed curves with conical rollers	15	
Fixed curves with Ø 48 3-part plastic rollers	14	
Fixed curves with Ø 48 wheel axles	12	
Fixed curves with Ø 48 wheel axles	13	
Fixed stop	59	
Fixed stop type E-10 with sensor	62	
Flexi conveyors with Ø 48 wheel axles	11	
Flexi curves with Ø 48 wheel axles	16	
Frames	72	
G		
Grip belts for belt conveyors	33	
Guide edge for rotary table	109	
I		
Inline system	50	
L		
Laminated plastic	86	
Low side guide	123	
M		
Manual roller stop type BM	64	
Manual stop bar	59	
Manual tilt table 22°	44	
Mechanical end stop	62	
Motor guard	65	
N		
Non-driven transverse conveyor	79	
P		
Packing plate	41	
Packing table for mounting on conveyor	40	
Pneumatic case turn unit	82	
Pneumatic roller stop type BP	64	
Pneumatic stop type A60	63	
Pneumatic tilt table 20°	45	
Product orientator TU	82	
Pusher type CP	80	
Pusher type CP-F	81	
Pusher type CPO	80	
R		
Roller conveyors with 48 mm plastic rollers	1	
Roller conveyors with Ø 28 aluminium rollers	5	
Roller conveyors with Ø 48 steel rollers	3	
Rotary tables	46	
Rotating wheel	78	

S

Semi automatic flap folder - F-100	42
Side guides	121
Side guides for 90° non-driven curves	124
Smooth belts for belt conveyors	30
SP-502 side pusher	48
Spacing tubes	73
Stainless steel	86
Supports for "First in - First out" 2 conveyors	98
Supports for "First in - First out" 3 conveyors	100
Supports for belt conveyors and driven roller conveyors	92
Supports for driven curves	94
Supports for duplex conveyors	96
Supports for fixed curves	90
Supports for triplex conveyors	97
Supports for wheel and roller conveyors	88
Symmetrical ball table for small items	75

T

Tiltable support	105
Type A	107
Type AH	107
Type BR100	83
Type BR200	84
Type BRS100	83
Type BRS200	84
Type BRV	84
Type C	108
Type CF	116
Type DH	118
Type DL	119
Type FC	108
Type FF + C-profile	115
Type FM + C-profile	114
Type MB + C-profile	114
Type MC	116
Type VH	120
Type VL	119
Type X	124

W

Wall suspension	104
Wheel consoles for side guides type A	122
Wheel consoles for side guides type B	122
Wheel conveyors with Ø 48 wheel axles - with double number of wheels	9
Wheel conveyors with Ø 48 wheel axles - with single number of wheels	7

Ø

Ø 28 mm aluminium rollers	51
---------------------------	----

Ø 28 pop-up rollers	86
Ø 48 mm 3-part rollers	58
Ø 48 mm plastic rollers	52
Ø 48 mm plastic rollers with 6000 end bearings	54
Ø 48 mm plastic rollers with 6000 end bearings with grooves at one end	55
Ø 48 mm plastic rollers with grooves	53
Ø 48 mm steel rollers with 6000 end bearing	56
Ø 48 mm steel rollers with 6000 end bearings and grooves at one end	57
Ø 48 pop-up rollers	87
Ø 48 wheel	71
Ø 48 wheel axles - for fixed curves	70
Ø 48 wheel axles - for fixed curves	71
Ø 48 wheel axles - for flexi conveyors	68
Ø 48 wheel axles - for flexi conveyors	69
Ø 48 wheel axles - for straight conveyors	66
Ø 48 wheel axles - for straight conveyors	67



The SOCO SYSTEM

From case erecting to pallet securing

The SOCO SYSTEM product range handles cases, plastic crates, trays, pallets, and many of your products.

The SOCO SYSTEM product range is designed to increase efficiency and eliminate physically strenuous work functions.

One system – one supplier

There are many advantages of full product compatibility; less paperwork and no time wasted in adapting products from different suppliers.

Meet your future requirements

Add modules and functionality, relocate modules, or whatever fits your future needs.

Call us, mail us, or visit us at www.socosystem.com

Your local SOCO SYSTEM dealer:

COPYRIGHT SOCO SYSTEM 2014

Head office:
SOCO SYSTEM A/S
 Helgeshoej Allé 16D
 DK-2630 Taastrup
 Denmark
 Tel +45 43 52 55 66
 Fax +45 43 52 81 16
 info@socosystem.com
 www.socosystem.com



Flextronics, Netherlands



Sig. Ágústsson, Iceland



Laru, Germany



Toms, Denmark



Rioja, Spain



Bouché Père & Fils, France



United Milk, England



Altmark Käserei, Germany